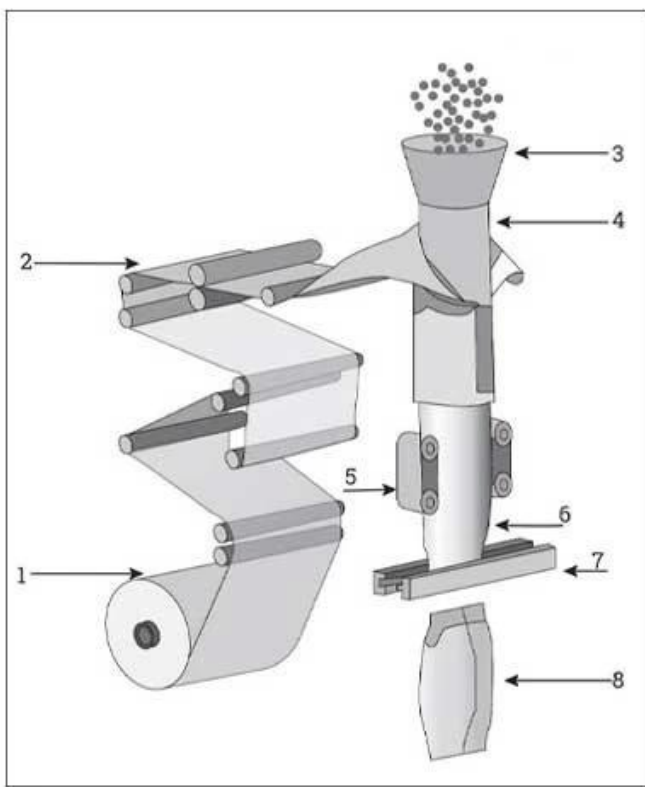


< INTRODUCE >

德迅包装机械有限公司专业生产各种规格背封包装机、颗粒包装机、粉剂包装机、液体包装机。DS-420AZ背封包装机是德迅包装机械有限公司自主研发的一款高性能、高产能、高稳定性的背封包装机。该机器采用先进的伺服驱动技术，能够实现精确的定量包装。机器结构紧凑，占地面积小，操作简便，维护方便。适用于各种颗粒、粉剂、液体等物料的包装。德迅包装机械有限公司拥有完善的质量管理体系，产品远销世界各地，深受客户的信赖和好评。德迅包装机械有限公司将继续秉承“诚信、专业、创新、服务”的经营理念，为客户提供更加优质的产品和服务。

< APPLICATION SCENARIOS >



Back seal round hole



Back seal aircraft hole



Standard back seal



Vertical back seal



Gusseted bags



Quad seal bag

< MACHINE ADVANTAGES >

1. PLC 2. 3. PE/PP 4. 5. 6. 7.

[CONTACT NOW](#) 

[< DETAIL >](#)



TOUCH SCREEN

The touch screen can store parameters and adjust them at will, which is simple and convenient

A



Z TYPE HOIST

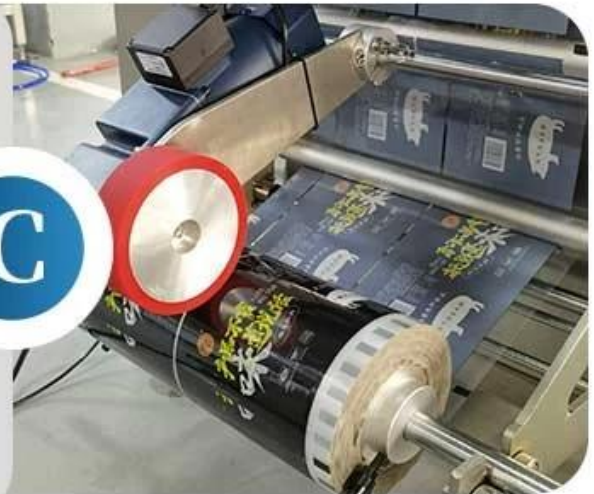
Automatic product loading, with built-in protective cover, making it more convenient

B



ROLL FILM

Automatic film rolling, smooth film pulling without jamming, etc.



MEASURING CUP

The weight can be set, freely adjusted, accurate measurement, high precision

BAG FORMER

Automatic bag making, lapel structure, smooth lapel, intelligent bag making

E



F

HEAT SEAL CUT

Heat sealing and cutting, sealing can be customized according to needs.



CONTACT NOW



COMPANY PROFILE



FOSHAN DESSION PACKAGING MACHINERY CO., LTD.

Foshan Dession Packaging Machinery Co., Ltd. is located in China Machinery Center, Nanhai District, Foshan city. Dession is a collection of research and development, manufacturing, sales and after-sales service in one of the high-tech enterprises. It has the self-import and export rights. DE newsletter focusing on production and research and development, all kinds of bag packaging machine, filling machine, and the research and development and manufacture of automatic packaging line with superior performance advanced technology, easy operation, easy maintenance, safe, durable widely used in puffed food, snack food, frozen food, agricultural and sideline products, medicine, chemical products and other fields to meet the needs of customers.



9000

Square Meters
of Factory Buildings

15 Years

Focus on
packaging machinery

**More
than 80**

Technicians
and employees

**More
than 100**

Packing
machine models

< WORKSHOP DIAGRAM DISPLAY >



**FILLING MACHINE
WORKSHOP**

**LARGE VERTICAL
WORKSHOP**

**PILLOW MACHINE
WORKSHOP**



**SMALL VERTICAL
WORKSHOP**

**CARTONING MACHINE
WORKSHOP**

**MULTI-TRAIN
WORKSHOP**

CONTACT NOW



< CERTIFICATE DISPLAY >

it owns more than 20 authorized intellectual property rights and has passed ISO9001 certification every year.



Certificate of Honor



Patent certificate

< CUSTOMER TESTIMONIALS >

True praise and good quality are all based on customer needs

Service praise

Great job done by Foshan Dession ... I want to thank you all for this nice experience ... the next to come is the best 🤗

Quality praise

Hi Christy

At the moment dont need help

we test it one time

it works

now waiting the bobbins

Ok thanks. Am busy installing the last machine

2021

i did the installation today, perfect machine

Quality praise

Ok. Thank you, we will inform you!!!

Thaaaaank you very much dear Alisa you are Super, perfect with your engineer 🙌🙌🙌🙌🙌. Everything is ok.

77 roses for you from heart

Service praise

My pleasure , it's happy to get your good feedback on the machine

It's good And your service is excellent Your Boss must give increase

Quality praise

成 Neel 美国单工位预制袋混合沙

Hello Joe - the machine continues to run better every day. We're hoping that all the parts do not start to break with use.

If anything breaks (like the heating bar), can you send up replacement parts?

EXHIBITIONS & CUSTOMER VISITS



International exhibition



Customer visit

CONTACT NOW



< OUR SERVICE >



Worry Free After Sale

Professional after-sales team with 10 years of experience

24-hour online after-sales

Professional technical team, on-site installation service

on-site debugging training



本公司專業技術人員，提供專業、快捷、優質的售後服務。我們擁有十年以上的專業售後服務經驗，提供24小時線上售後服務。專業技術團隊，提供現場安裝服務、現場調試培訓。

本公司專業技術人員，提供專業、快捷、優質的售後服務。我們擁有十年以上的專業售後服務經驗，提供24小時線上售後服務。專業技術團隊，提供現場安裝服務、現場調試培訓。

本公司專業技術人員，提供專業、快捷、優質的售後服務。我們擁有十年以上的專業售後服務經驗，提供24小時線上售後服務。專業技術團隊，提供現場安裝服務、現場調試培訓。 (請參閱說明書)

本公司專業技術人員，提供專業、快捷、優質的售後服務。我們擁有十年以上的專業售後服務經驗，提供24小時線上售後服務。專業技術團隊，提供現場安裝服務、現場調試培訓。)

< OUR SHIPPING >



Our shipping services include air, sea, and land transport. We offer flexible solutions for your needs, with transit times ranging from 30-15 days. For urgent deliveries, we provide express services (DHL, FedEx, etc.).

Our services include:

1. Air shipping

A1: Air shipping is the fastest and most secure way to transport goods. We offer door-to-door service, including customs clearance and delivery to your destination.

2. Sea shipping

ආරක්ෂා කිරීමේදී ප්‍රධාන වශයෙන් අනතුරු වැළැක්වීමට අවධානය යොමු කළ යුතුය. :2
අනතුරු වැළැක්වීමට අවධානය යොමු කළ යුතුය. අනතුරු වැළැක්වීමට අවධානය යොමු කළ යුතුය.
අනතුරු වැළැක්වීමට අවධානය යොමු කළ යුතුය.

ආරක්ෂා කිරීමේදී .3

A3: ආරක්ෂා කිරීමේදී අනතුරු වැළැක්වීමට අවධානය යොමු කළ යුතුය. අනතුරු වැළැක්වීමට අවධානය යොමු කළ යුතුය.

ආරක්ෂා කිරීමේදී .4

A4: ආරක්ෂා කිරීමේදී අනතුරු වැළැක්වීමට අවධානය යොමු කළ යුතුය. අනතුරු වැළැක්වීමට අවධානය යොමු කළ යුතුය.
අනතුරු වැළැක්වීමට අවධානය යොමු කළ යුතුය. අනතුරු වැළැක්වීමට අවධානය යොමු කළ යුතුය.
අනතුරු වැළැක්වීමට අවධානය යොමු කළ යුතුය.

ආරක්ෂා කිරීමේදී .5

ආරක්ෂා කිරීමේදී අනතුරු වැළැක්වීමට අවධානය යොමු කළ යුතුය. අනතුරු වැළැක්වීමට අවධානය යොමු කළ යුතුය. !අනතුරු :5.

ආරක්ෂා කිරීමේදී .6

A6: අනතුරු වැළැක්වීමට අවධානය යොමු කළ යුතුය. අනතුරු වැළැක්වීමට අවධානය යොමු කළ යුතුය. 10 අනතුරු 5 අනතුරු අනතුරු
අනතුරු වැළැක්වීමට අවධානය යොමු කළ යුතුය. අනතුරු වැළැක්වීමට අවධානය යොමු කළ යුතුය. 30-15.