

德迅Dession 牙膏包装机 牙膏管包装机 牙膏盒包装机 牙膏管灌装机 牙膏管挤出机 牙膏管吹膜机 牙膏管成型机 牙膏管封口机 牙膏管切割机 牙膏管检测机 牙膏管清洗机等

德迅 *Dession*[®]



德迅 德迅









place for empty boxes



Customizable, according to box size and dimensions



Vacuum suction box



Vacuum picks up the box with a quick turn and puts it in the transport belt



product push



Automatic induction, boosting the product into the box



folding device



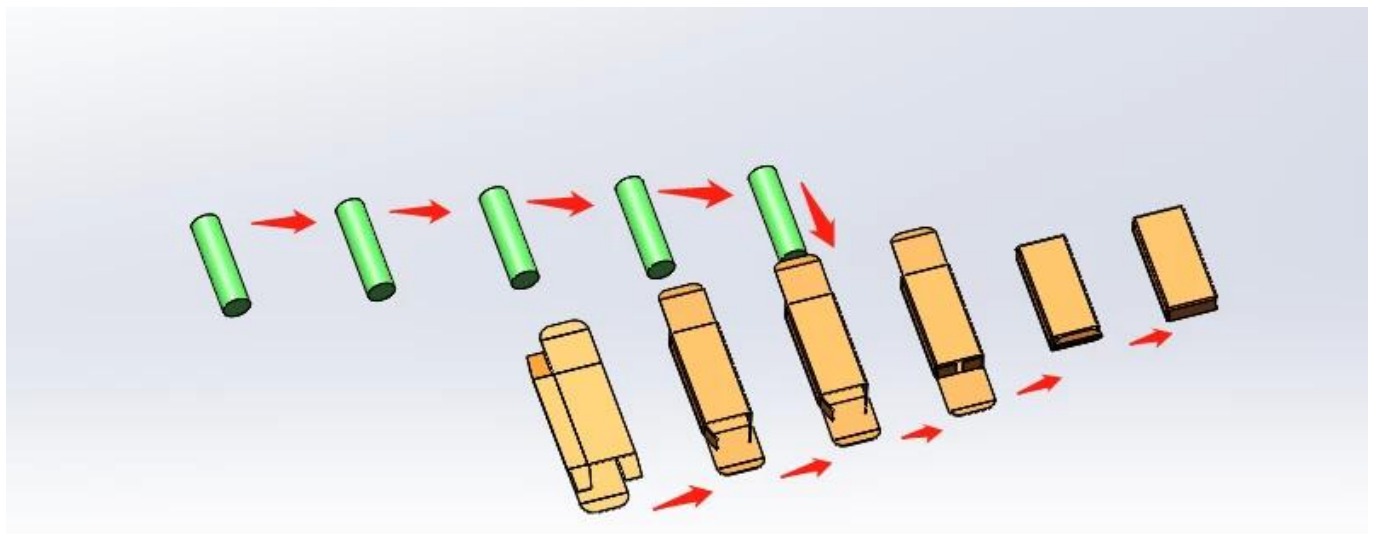
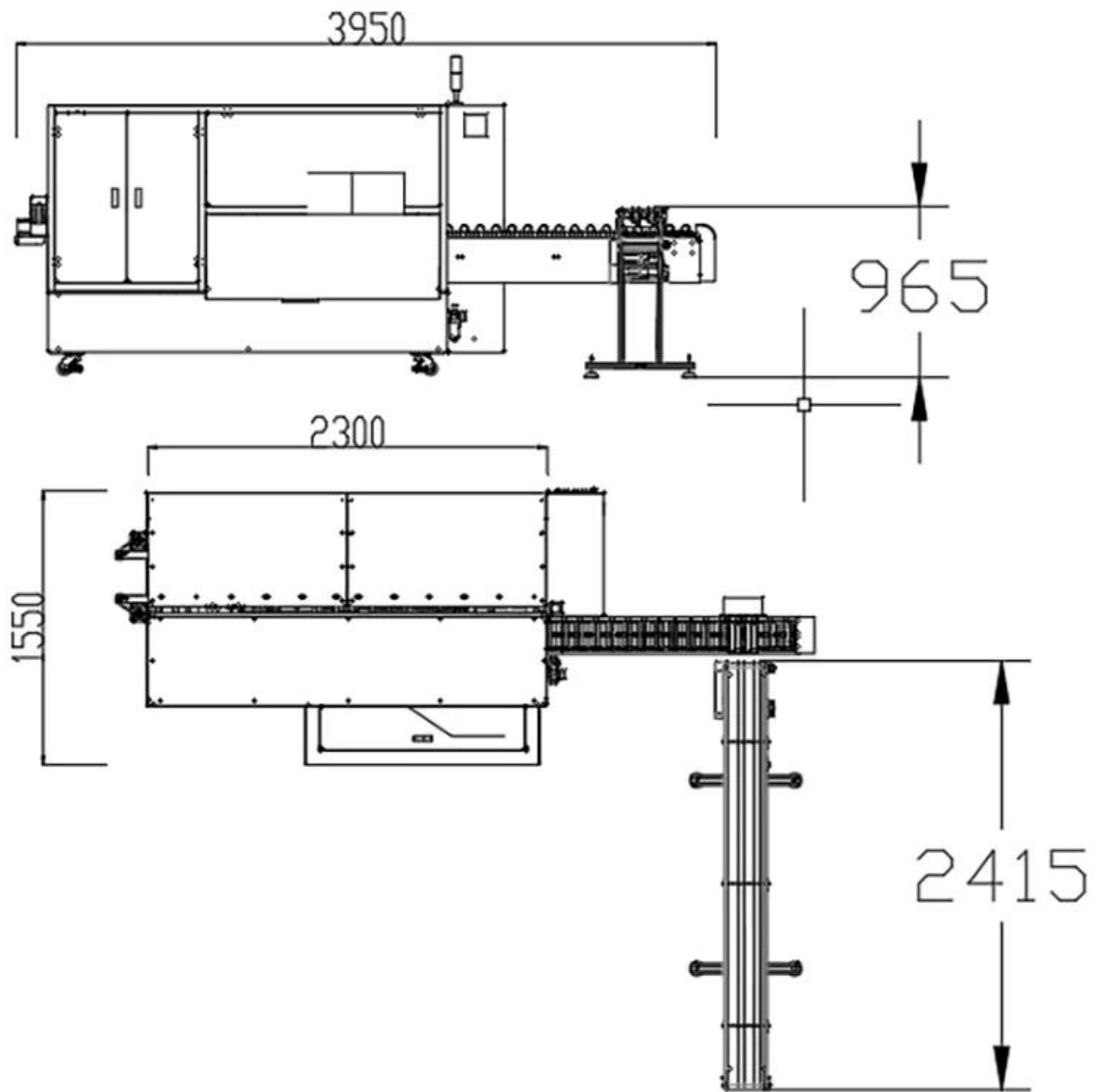
Under high-speed operation, it can be folded automatically and quickly, and the production can be completed

Contact us



Customized products that
match your own

□□□□□□ □□□□□□ □□ □□□□□□ □□□□ □□□□ □□□□□□ □□□□□□ □□□□□□ □□□ □□□□ □□



□□□□□ □□□□□

□□□□□ □□□□ :□□□□□ □□□□□□□□ □□□□□ □□□□□□□□ □□ □□□□□□□□ 150-100 □□□□ □□□□□ □□□□□ □□□□□□□□ □□□□□□□□ □□□□□□□□ □□□□□□□□ □□□□□□ □□□□□ □□□□□ □□□□□□□□ □□□□□□□□ □□□□□□□□.

□□□□□ □□□□ □□□□□ □□□ □□□□ □□□□□□□□ □□□□□□□□ □□□□□□ □□□□ □□□ □□ □□□□□□ □□□□□□ □□ □□□□□□ □□□□□□ □□□□□□ □□□□□□□□ □□□□□□□□.

□□□□□ □□ □□□□□□□□□□ □□□□□ □□□□□ □□□□□□□□ □□□□□□□□□□ □□□□□□□□□□ □□□□□□□ □□□□□□□□ □□□□□□ □□□ □□□□□□ □□□□□ □□□□□ □□□□□□□□ □□□□□□□□ □□□□□□□□ □□□□□□□□.

□□□□□ □□□□□□□□ □□□□ □□□□□□ □□□□□□□ □□□□□□□ □□□□□ □□ □□□□□□□□ □□□□ □□ □□□□□□□ □□□□ □□ □□□□□□ □□□□□□□□ □□□□□□ □□□□□□ □□□□□□□□ □□□□□□□□.

□□□□ □□□□□□□ □□□□□ □□□□□□□ □□□□□ □□□□ □□□□□□ □□□□ □□□ □□□□ □□□ □□□ □□□ □□□ □□□ □□□ □□□□□□ □□□□□□ □□□□□□ □□□□□□ □□□□□□ □□□□□□ □□□□□□ □□□□□□□□.

□□□□□□ □□□□□□□

Model:	DS-GS150
carton size range:	L 110-200 * W 30-70 * H 18-45mm (can be customized according to product)
Paper Requirements Scope:	300 g/m ² ≤ Best for paper:350 g/m ² ≤ 450 g/m ²
Paper requirements:	The indentation of the paper box is not less than 0.4mm, with a pre folding effect
Production capacity:	100-150box/min
Total power:	3 KW
Equipment dimensions:	About L3950 * W1550 * H1730mm
Machine weight:	About 2T

Company profile

Foshan Dession packaging machinery Co., Ltd. is located in Nanhai District, Foshan city, China machinery center, is a collection of research and development, manufacturing, sales and after-sales service in one of the high-tech enterprises, with self-import and export rights. DE newsletter focusing on production and research and development, all kinds of bag packaging machine, filling machine, and the research and development and manufacture of automatic packaging line, with superior performance, advanced technology, easy operation, easy maintenance, safe, durable, widely used in puffed food, snack food, frozen food, agricultural and sideline products, medicine, chemical products, metal products and other fields, to meet the needs of customers.



EXHIBITIONS



Our Customers





Contact us

Our Advantage

On-site installation,
commissioning and training

Specially customized
based on actual situation



High automation, simple
operation and labor saving

Life long technical
service support

.

PACKAGING SHIPPING



. 30-15 (DHL)

AFTER-SALES SERVICE



1.
2.
3.

(. :)

□□□□ □□□□ □□□□ □□□□ □□ □□ □□ □□□□ □□.)