







Conveyor belt



The electric eye induction product is transported to the cartoning machine, and the conveyor belt transports the product



Vacuum suction box



Vacuum suction box, open the box, make the empty box open



Product push



Automatic induction, boosting the product into the box

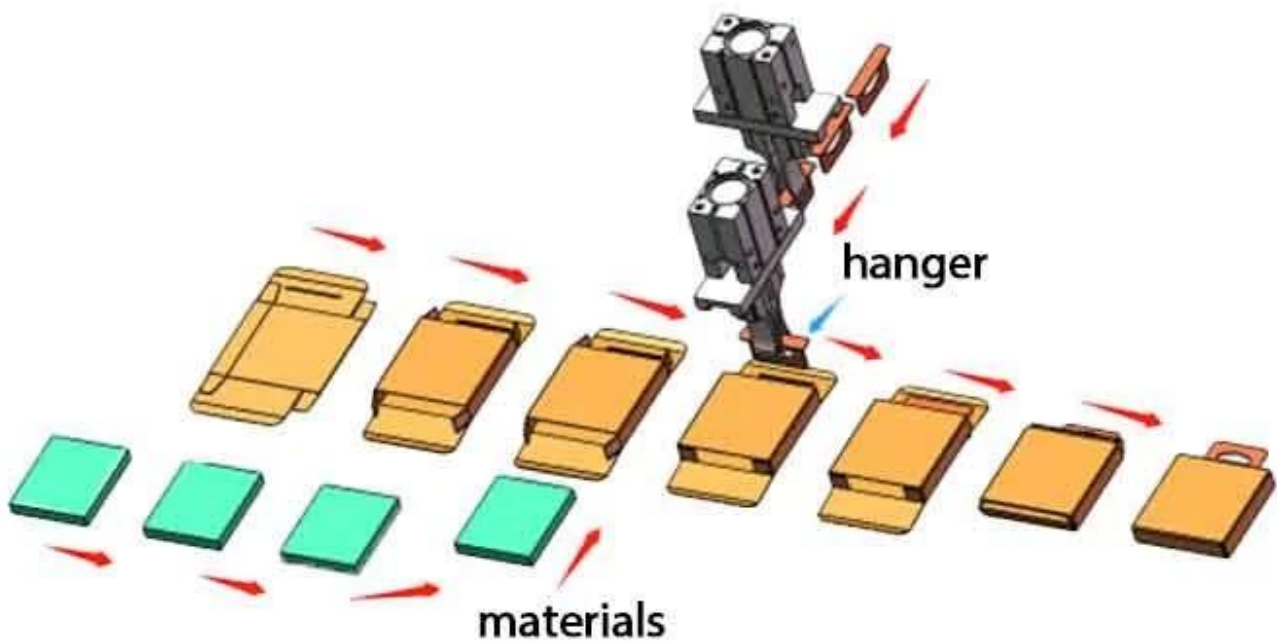


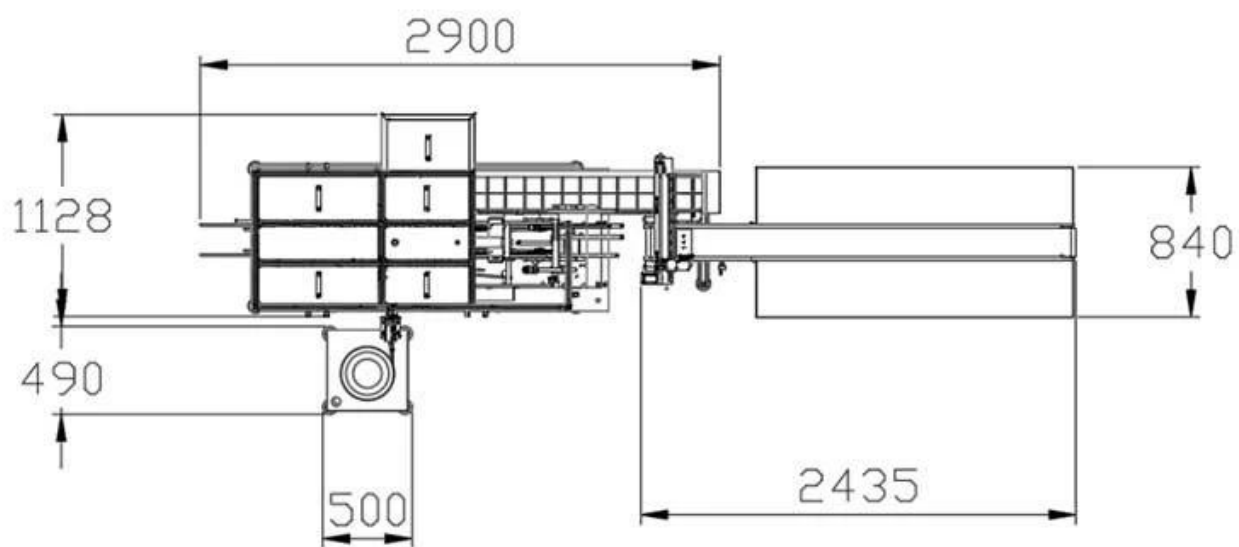
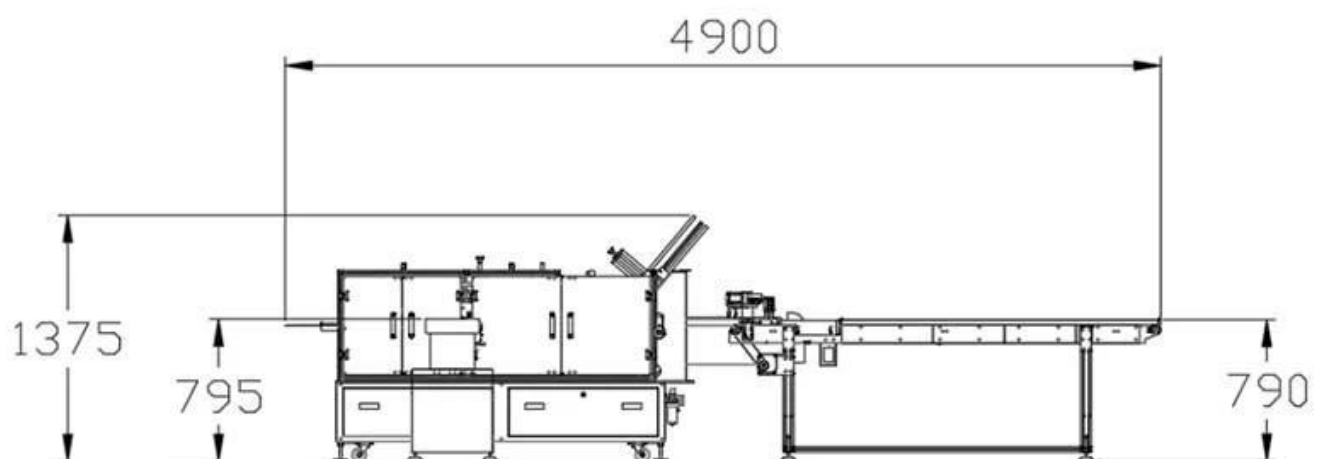
Folding device



It can be folded automatically no indentation when folded, and the box is complete

Contact us





Our Customers •



Contact us

Our Advantage •

On-site installation,
commissioning and training

Specially customized
based on actual situation



High automation, simple
operation and labor saving

Life long technical
service support

Decision
.
.
.
.

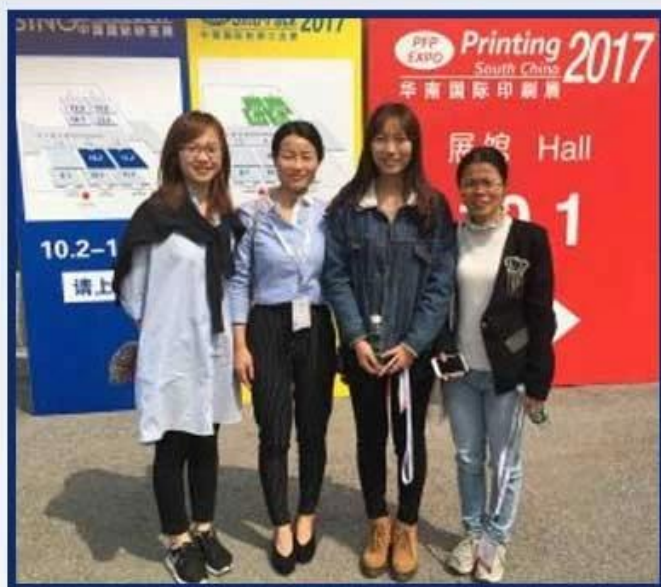
AFTER-SALES SERVICE



1.
2.
3.

(. :)

EXHIBITION RECORD



Contact us

PACKAGING SHIPPING ● —————



Our shipping services are available for all countries. We offer a wide range of shipping options, including air, sea, and land. Our shipping times are typically 30-15 days. We also offer a variety of packaging solutions, including pallets, crates, and boxes. (DHL, FedEx, UPS, etc.)

