

1. 包裝設計 2. 包裝材料 3. 包裝結構 4. 包裝工藝 5. 包裝設備 6. 包裝成本 7. 包裝效率 8. 包裝質量 9. 包裝安全 10. 包裝環保 11. 包裝創新 12. 包裝個性 13. 包裝品牌 14. 包裝文化 15. 包裝藝術 16. 包裝科學 17. 包裝技術 18. 包裝管理 19. 包裝銷售 20. 包裝服務

## < INTRODUCE >

包裝設計是包裝的靈魂，包裝材料是包裝的基礎，包裝結構是包裝的骨架，包裝工藝是包裝的血液，包裝設備是包裝的肌肉，包裝成本是包裝的命脈，包裝效率是包裝的動力，包裝質量是包裝的保證，包裝安全是包裝的保障，包裝環保是包裝的責任，包裝創新是包裝的活力，包裝個性是包裝的特色，包裝品牌是包裝的標識，包裝文化是包裝的內涵，包裝藝術是包裝的修養，包裝科學是包裝的依據，包裝技術是包裝的支撐，包裝管理是包裝的規範，包裝銷售是包裝的途徑，包裝服務是包裝的承諾。

## < APPLICATION SCENARIOS >



## < MACHINE ADVANTAGES >

1. 包裝速度 2. 包裝精度 3. 包裝質量 4. 包裝效率 5. 包裝成本 6. 包裝安全 7. 包裝環保 8. 包裝創新 9. 包裝個性 10. 包裝品牌 11. 包裝文化 12. 包裝藝術 13. 包裝科學 14. 包裝技術 15. 包裝管理 16. 包裝銷售 17. 包裝服務

PLC ( )

2.

3.

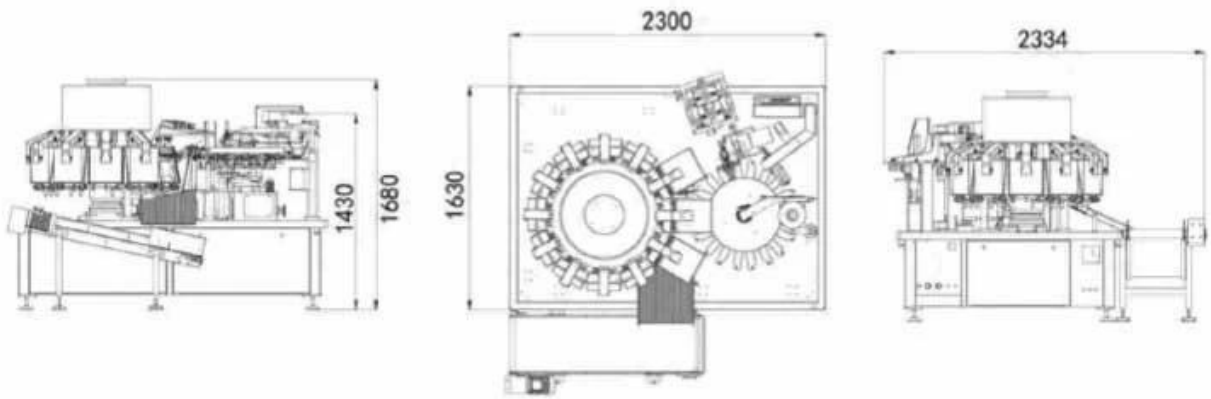
4.

5.

6. GMP CE.

CONTACT NOW 

< MACHINE DETAIL MARKINGS >



< DETAIL >







## Touch screen



Various parameters can be stored to adjust the application

A



## Vacuum suction bag



The vacuum suction cup sucks the bag and automatically transports it to the work area

B



## Vacuum automatic bag opening



Vacuum suction cup opens the bag, automatically opens the bag and transports it to the filling work area

C



## Automatic filling



Automatic filling products, finished products can be completed after heat sealing

D

[CONTACT NOW](#)



# COMPANY PROFILE



## FOSHAN DESSION PACKAGING MACHINERY CO., LTD.

Foshan Dession Packaging Machinery Co., Ltd. is located in China Machinery Center, Nanhai District, Foshan city. Dession is a collection of research and development, manufacturing, sales and after-sales service in one of the high-tech enterprises. It has the self-import and export rights. DE newsletter focusing on production and research and development, all kinds of bag packaging machine, filling machine, and the research and development and manufacture of automatic packaging line with superior performance advanced technology, easy operation, easy maintenance, safe, durable widely used in puffed food, snack food, frozen food, agricultural and sideline products, medicine, chemical products and other fields to meet the needs of customers.



**9000**

Square Meters  
of Factory Buildings

**15 Years**

Focus on  
packaging machinery

**More  
than 80**

Technicians  
and employees

**More  
than 100**

Packing  
machine models

## < WORKSHOP DIAGRAM DISPLAY >



**FILLING MACHINE  
WORKSHOP**

**LARGE VERTICAL  
WORKSHOP**

**PILLOW MACHINE  
WORKSHOP**



**SMALL VERTICAL  
WORKSHOP**

**CARTONING MACHINE  
WORKSHOP**

**MULTI-TRAIN  
WORKSHOP**

**CONTACT NOW**





## < CERTIFICATE DISPLAY >

it owns more than 20 authorized intellectual property rights and has passed ISO9001 certification every year.



### Certificate of Honor



### Patent certificate

# < CUSTOMER TESTIMONIALS >

True praise and good quality are all based on customer needs

**Service praise**

Great job done by Foshan Dession ... I want to thank you all for this nice experience ... the next to come is the best 🤗

**Quality praise**

Hi Christy  
At the moment dont need help  
we test it one time  
it works  
now waiting the bobbins

**Quality praise**

Ok. Thank you, we will inform you!!!  
Thaaaaank you very much dear Alisa you are Super, perfect with your engineer 🙌🙌🙌🙌🙌🙌. Everything is ok.  
77 roses for you from heart

**Quality praise**

Ok thanks. Am busy installing the last machine  
2021  
i did the installation today, perfect machine

**Service praise**

Thank you  
First you use the machine and any thing you need you can ask me  
Thanks  
My pleasure , it's happy to get your good feedback on the machine  
It's good  
And your service is excellent  
Your Boss must give increase

**Quality praise**

成 Neel 美国单工位预制袋混合沙  
Hello Joe - the machine continues to run better every day. We're hoping that all the parts do not start to break with use.  
If anything breaks (like the heating bar), can you send up replacement parts?

# EXHIBITIONS & CUSTOMER VISITS



## International exhibition



## Customer visit

CONTACT NOW



## < OUR SERVICE >



### Worry Free After Sale

Professional after-sales team with 10 years of experience

24-hour online after-sales

Professional technical team, on-site installation service

on-site debugging training



本公司專業技術人員，提供專業、快捷、優質的售後服務。我們擁有十年以上的專業售後服務經驗，提供24小時線上售後服務，專業技術團隊，現場安裝服務，現場調試培訓。

本公司專業技術人員，提供專業、快捷、優質的售後服務。我們擁有十年以上的專業售後服務經驗，提供24小時線上售後服務，專業技術團隊，現場安裝服務，現場調試培訓。

本公司專業技術人員，提供專業、快捷、優質的售後服務。我們擁有十年以上的專業售後服務經驗，提供24小時線上售後服務，專業技術團隊，現場安裝服務，現場調試培訓。

本公司專業技術人員，提供專業、快捷、優質的售後服務。我們擁有十年以上的專業售後服務經驗，提供24小時線上售後服務，專業技術團隊，現場安裝服務，現場調試培訓。

## < OUR SHIPPING >



Our shipping services are available for all countries. We offer a wide range of shipping options, including air, sea, and land. Our shipping times range from 30-15 days. We also offer express shipping services (DHL, FedEx, UPS).

Shipping Services

Shipping Services .1

A1: We offer a wide range of shipping options, including air, sea, and land. Our shipping times range from 30-15 days. We also offer express shipping services (DHL, FedEx, UPS).

Shipping Services .2

