

Foshan CE Approved Automatic high speed Toothpaste Cartoning Machine Suppliers

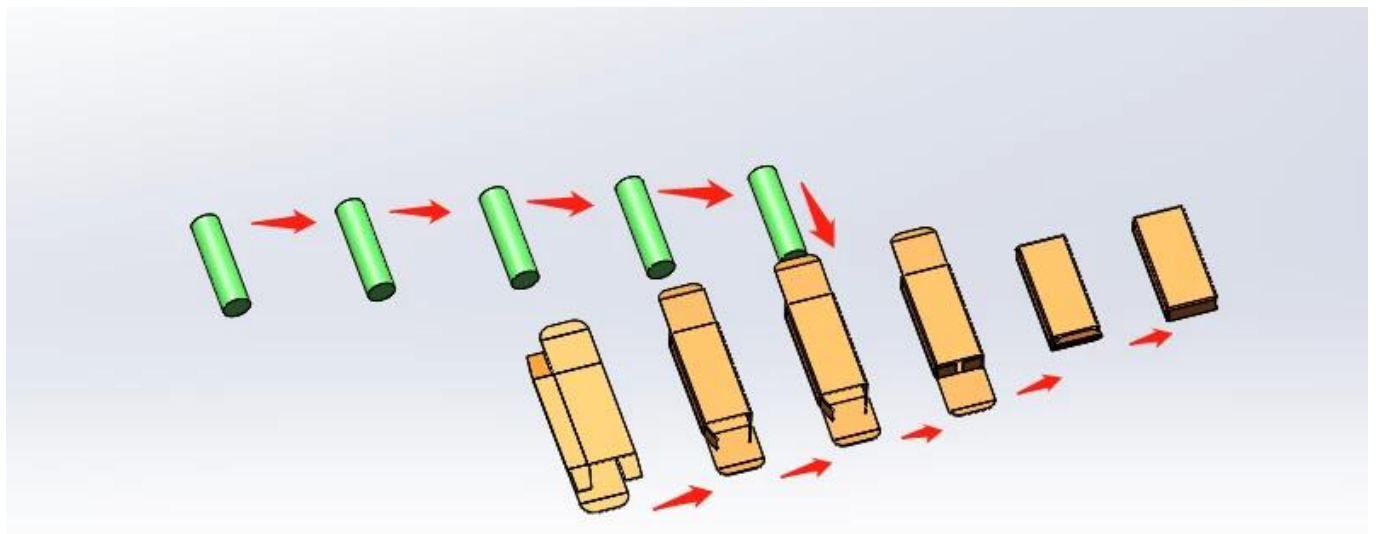
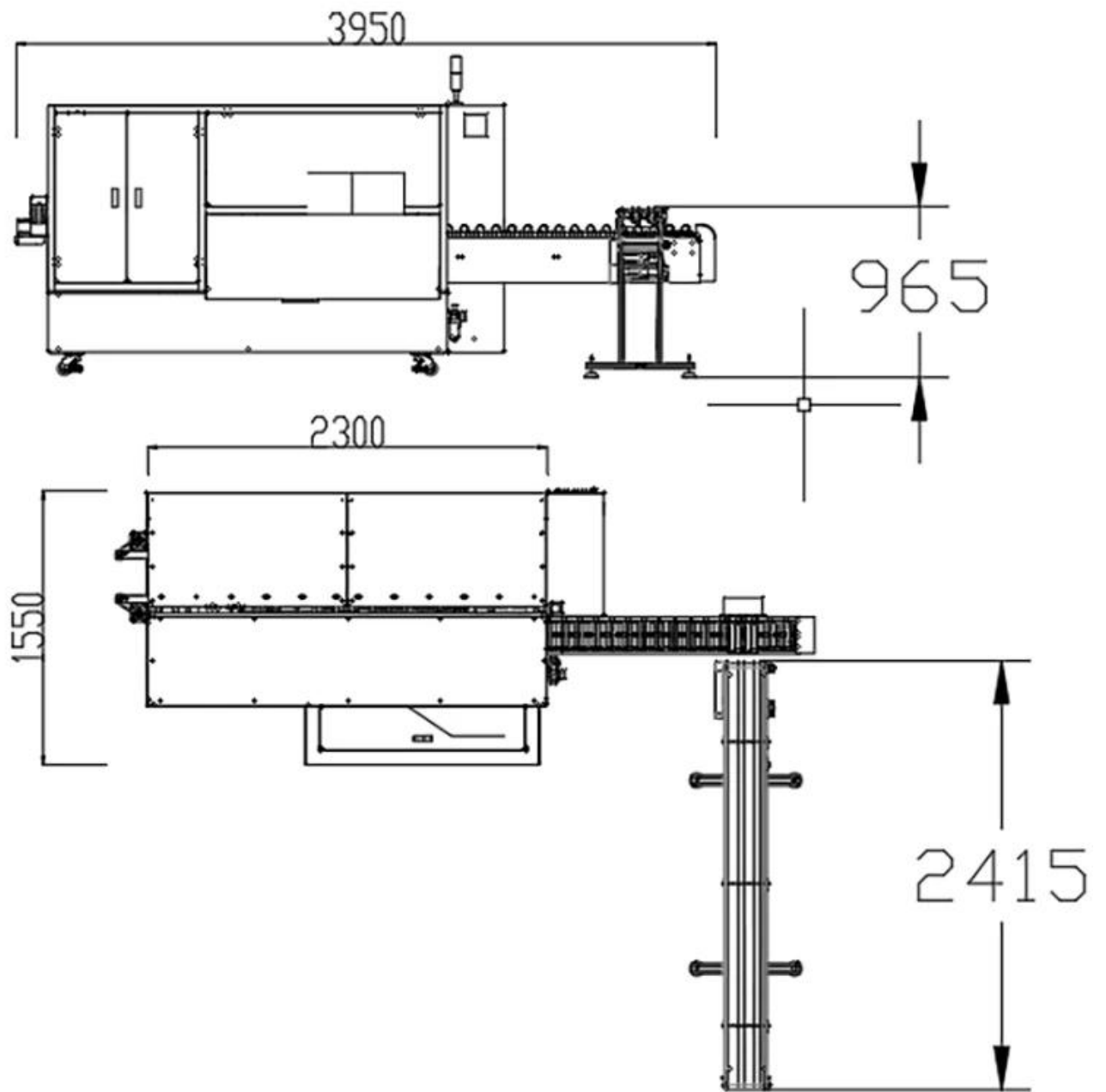


[Detailed Images](#)









Contact us

Application



Product Advantages

This equipment integrates light, gas, and electricity, and adopts a PLC operating system. It is suitable for packaging products with a large output such as daily chemical products and pharmaceuticals. The equipment uses continuous box opening and pushing methods for box opening and pushing, and the production speed can reach between 100-150 boxes per minute. It has the characteristics of stable packaging and high output. Can better save manpower!

Product specification

Model:	DS-GS150
carton size range:	L 110-200 * W 30-70 * H 18-45mm (can be customized according to product)
Paper Requirements Scope:	300 g/m ² ≤ Best for paper: 350 g/m ² ≤ 450 g/m ²
Paper requirements:	The indentation of the paper box is not less than 0.4mm, with a pre folding effect
Production capacity:	100-150box/min
Total power:	3 KW
Equipment dimensions:	About L3950 * W1550 * H1730mm
Machine weight:	About 2T

Company profile

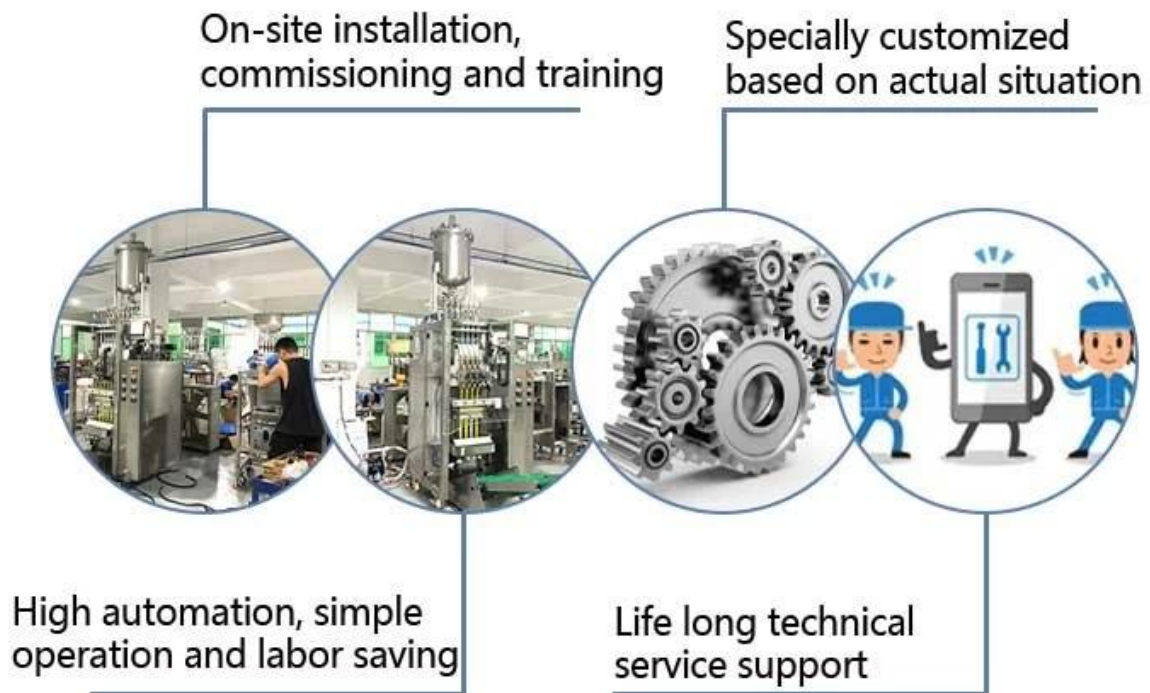
Foshan Dession packaging machinery Co., Ltd. is located in Nanhai District, Foshan city, China machinery center, is a collection of research and development, manufacturing, sales and after-sales service in one of the high-tech enterprises, with self-import and export rights. DE newsletter focusing on production and research and development, all kinds of bag packaging machine, filling machine, and the research and development and manufacture of automatic packaging line, with superior performance, advanced technology, easy operation, easy maintenance, safe, durable, widely used in puffed food, snack food, frozen food, agricultural and sideline products, medicine, chemical products, metal products and other fields, to meet the needs of customers.



EXHIBITIONS



Our Advantage •



Dession has a professional team to provide customers with various packaging solutions. Fully understanding the needs of customers, engineers design the most suitable solution. We have our own processing and assembly workshop and quality inspection and debugging process to ensure the quality of the machine. After acceptance by the customer, they are packed in international standard woodencases and shipped. If customers have any questions during the use of the machine, we will answer them in time.

PACKAGING SHIPPING



Upon receipt of payment , delivery date will be in 15-30 working days, By Air, by Sea or by Express (DHL etc)

AFTER-SALES SERVICE



1. With professional after-sales service team, we can provide you with a satisfied and technical service no matter which country you are in;
2. Any videos of packing machine installation, adjusting, setting, maintenance are available for any buyer;
3. If you got any problem when using the machine and the videos can not help, our technician will have video chatting with you to fix your problem;

(Notice: In order to save your cost, we offer various video chatting service for you, but if you insist on the

service oversea, the travel expense and technician cost will paid by you.)