

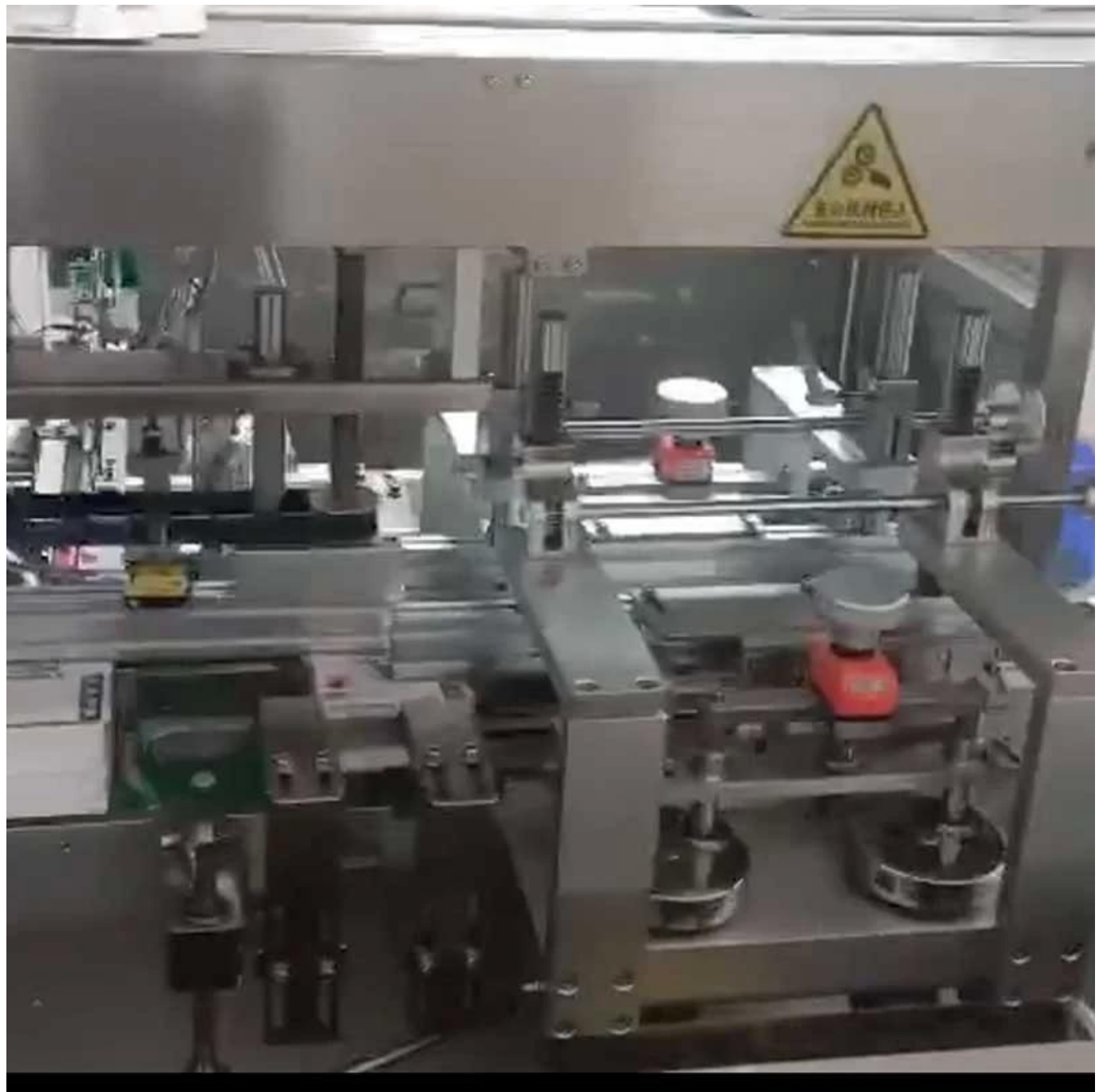
Foshan Fast Delivery Data cable box with hanger Cartoning Machine Manufacturers



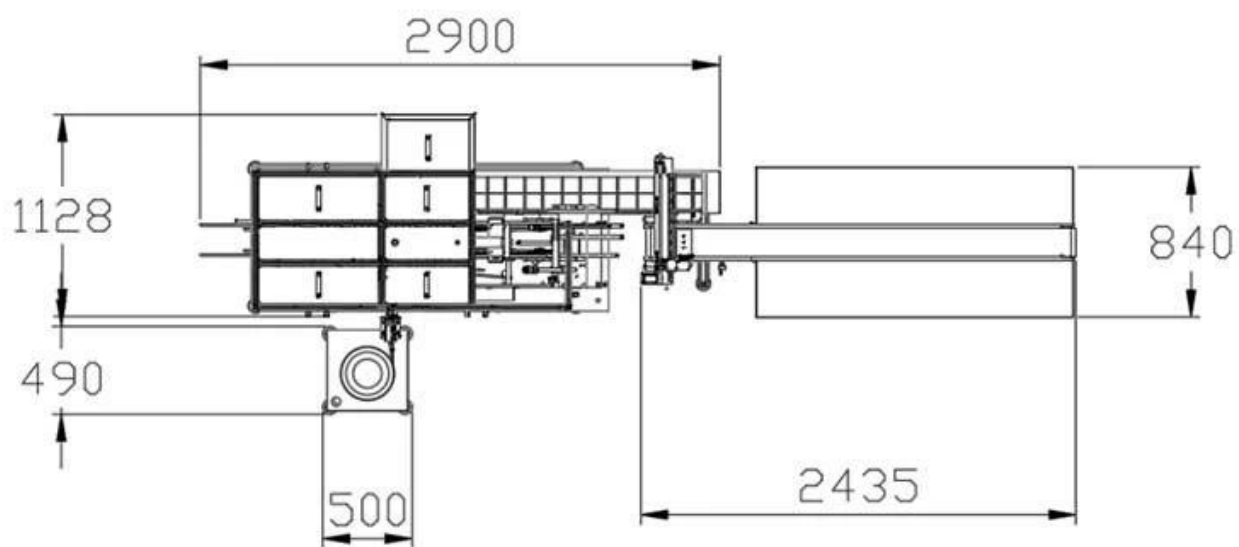
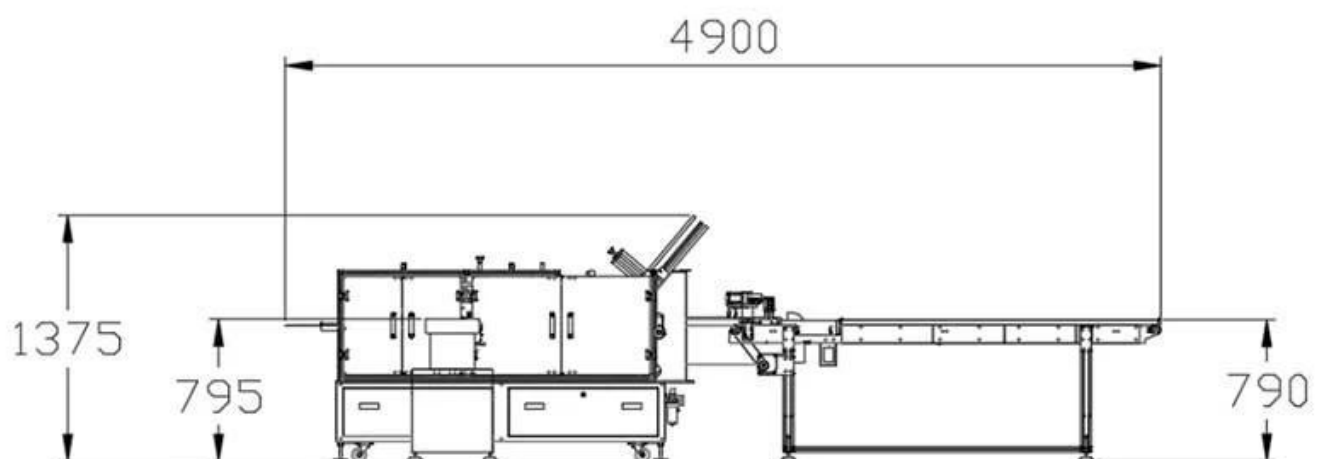
[Detailed Images](#)





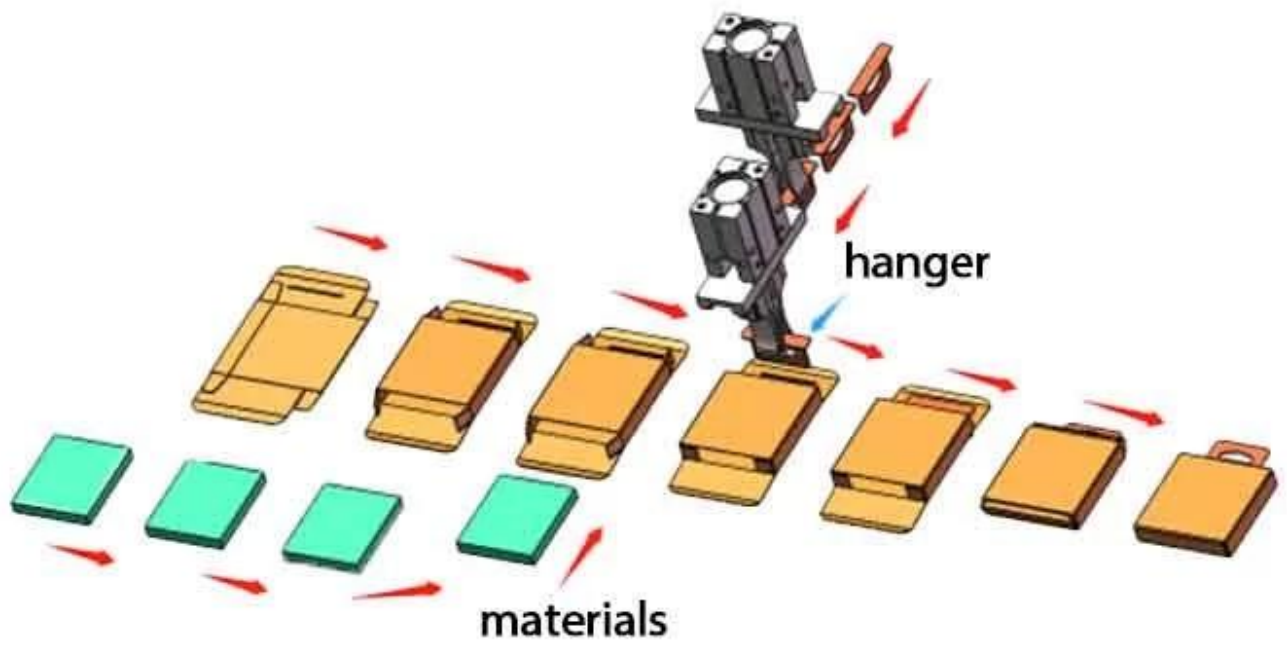






Contact us 

[Application](#)



Product Advantages

This equipment integrates light, gas, and electricity, and adopts a PLC operating system. it is suitable for placing products with hanging ears inboxes, such as electronic products. Equipped with a discharge conveyor belt, it is more convenient to use. it can also link upstream and downstream equipment, and the entire line can receive and hang ears quickly, closely cooperate, and pack stably. Can better save manpower!

Product specification

Model:	DS-DE040
carton size range:	BL80-200 * W25-80 * H15-50mm AL80-200 * W80-160 * H15-50mm (can be customized according to product)
Paper Requirements Scope:	300 g/m2 ≤ Best for paper:350 g/m2 ≤ 450 g/m2
Paper requirements:	The indentation of the paper box is not less than 0.4mm, with a pre folding effect
Production capacity:	30-40 box/min
Total power:	1.5 KW
Equipment dimensions:	About L4900 * W1600 * H1375mm
Machine weight:	About 1.3T



About us



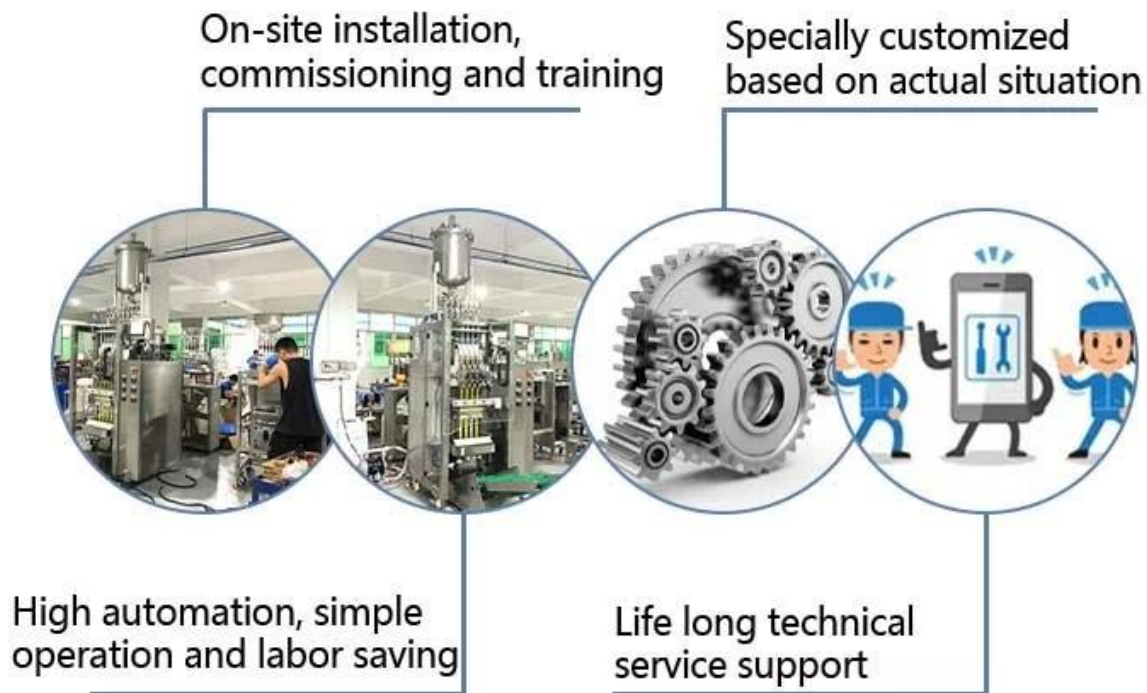
Foshan Dession packaging Machinery Co., Ltd. is located in China Machinery Center----Foshan Nanhai city, only takes 30 minutes to Guangzhou and 2 hours to Shenzhen/Hongkong. Dession is a comprehensive modern company integrating research , manufacturing and sale. It is a leading manufacturer of Rotary Packaging machine, Vertical Powder/Granule/Liquid Packaging machine, Automatic Feeding Line, flowing packing machine and supporting facilities, which has successfully developed more than 80 kinds of packaging machines and related equipment and most of them has passed the CE Certification with European Standard.

Our Customers •



Contact us

Our Advantage •



Dession has a professional team to provide customers with various packaging solutions. Fully understanding the needs of customers, engineers design the most suitable solution. We have our own processing and assembly workshop and quality inspection and debugging process to ensure the quality of the machine. After acceptance by the customer, they are packed in international standard woodencases and shipped. If customers have any questions during the use of the machine, we will answer them in time.

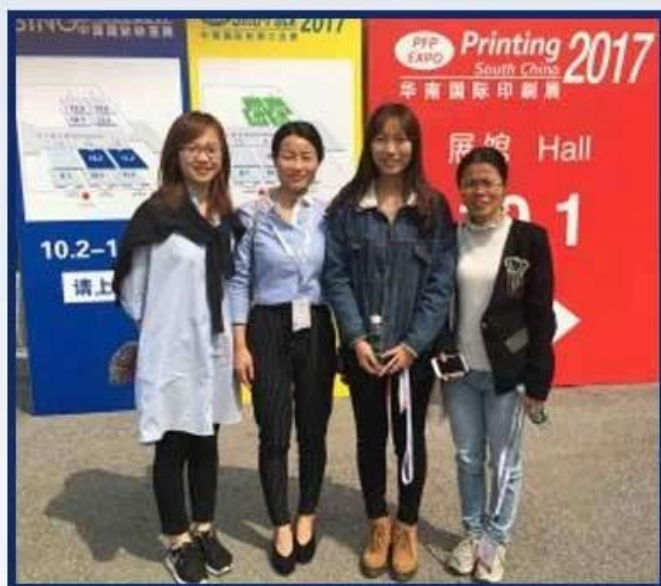
AFTER-SALES SERVICE



1. With professional after-sales service team, we can provide you with a satisfied and technical service no matter which country you are in;
2. Any videos of packing machine installation, adjusting, setting, maintenance are available for any buyer;
3. If you got any problem when using the machine and the videos can not help, our technician will have video chatting with you to fix your problem;

(Notice: In order to save your cost, we offer various video chatting service for you, but if you insist on the service oversea, the travel expense and technician cost will paid by you.)

EXHIBITION RECORD



Contact us

PACKAGING SHIPPING ●



Upon receipt of payment , delivery date will be in 15-30 working days, By Air, by Sea or by Express (DHL etc)

