

Fully Automatic Springs Pouch Packing Machine

德迅 Dession



Springs Packing Machine Advantage:

1	PLC control with stable, reliable biaxial high accuracy output and colorful touch screen, bag making, measuring, filling, printing, cutting, finished in one operation.
2	Separate circuit boxes for pneumatic control and power control, noise is low and the circuit is more stable.
3	Film pulling with servo motor double belt, less pulling resistance, bag is formed in good shape with better appearance, belt is resistant to be worn-out.

4	Double servo control,high precise orientation,size more accuracy.
5	External film releasing mechanism,more simple and easier installation for package film.
6	Adjustment of bag deviation just need to be control by the touch screen,operation is very simple.
7	All core spare parts sealed mechanism,to avoid the dust into inside of machine.



Springs Pouch Packing Machine Technical Specifications:

Model	DS-820AZ
Bag Length	100-400mm

Bag Width	180-400mm
Film Width	max.820mm
Packing Speed	5-30bags/min
Measurement range	Max.6000ml
Air Consumption	0.65Mpa
Gas Consumption	0.4m ³ /min
Voltage	220V,50Hz
Power	5kw

Combination Multihead Weigher Specifications:



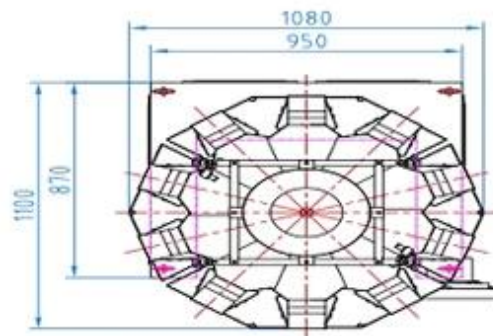
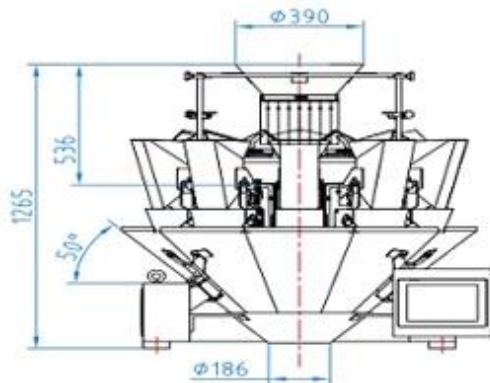
DS-A10 (Big)

Application:

Suitable for QQ sugar, cotton candy, vegetables, screws and other viscous, more difficult to control, poor mobility of materials such as quantitative weighing.

Special Features:

- * High precision digital load cell for accurate measurement, Chinese / English / Korean / West and other languages LCD operating system to choose from.
- * Powerful data automatic statistical functions, record the total weight of each batch of production, the total number of packages, the pass rate and other indicators. signal.



Specifications:

Model	DS-A10 (Big)	Operation Interface	8.4 inch touch screen/0.4 touch
Weighing Ranging	50-800g	Power	220V/1500W/50-60HZ/10A
Accuracy	X(0.5)	Package Weight	520 (kg)
Weighing Speed	45 bags/min	Package Size	1482 (L)x1080 (W)x1116 (H) (mm)
Hopper Volume	2500ml	Optional Equipment	Hopper/printer/sorting device
Drive Mode	Stepper Motor		rotating vibration machine

Application:

Suitable for QQ sugar, cotton candy, vegetables, screws and other viscous, more difficult to control, poor mobility of materials such quantitative weighing.



Package and Shipping

Packing:

Firstly cleaning, divided into different parts, then wrapping into plastic film; Finally packed by plywood case

Shipment:

By Air, by Sea or by Express (DHL, Fedex etc)

Shipment cost will depend on the destination, shipment way and the weight of the goods.



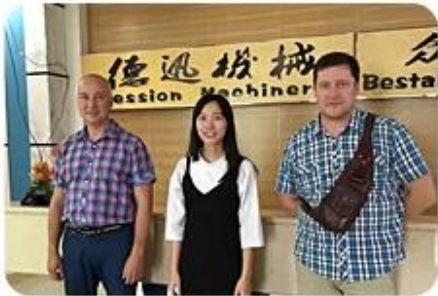
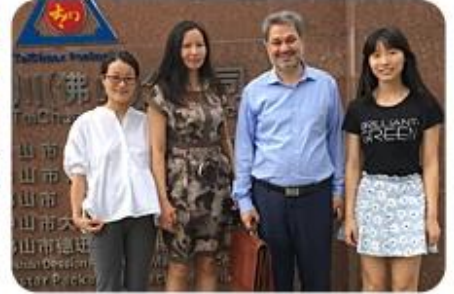
WHY CHOOSE DESSION ?

- MADE TO MEASURE SOLUTIONS
- TECHNICAL ADVICE CONCERNING PACKAGING
- REMOTE TRAINING AND SUPPORT
- DESPATCH OF SPARE IN NO TIME

AFTER-SALE SERVICE

1. Manules/Videos of machine installation, adjusting, setting, maintenance are provided to help with the machine.
2. If any problem occurred, video communication available on 24 hours ;
3. Dession engineers & technicians are available send to your country for service if you accept to be charge the expenditure;
4. Warranty: 2 years guranty of Electric accessories and free life time maintenance of machine excluding freight ;
5. Dession has an independent team for after-sale service. any emergency please call the salesman in sevice of you.

Our clients



Our company and factory



Wrapping machine workshop



Small vertical packing machine workshop



Large vertical packing machine workshop



Need more machines details or price?

Please contact Ms.Grace directly !

Mobile:+86 133 3649 8699

Whatsapp/Viber:+86 135 4254 9329

Skype:gracehe2015

QQ:1637579167