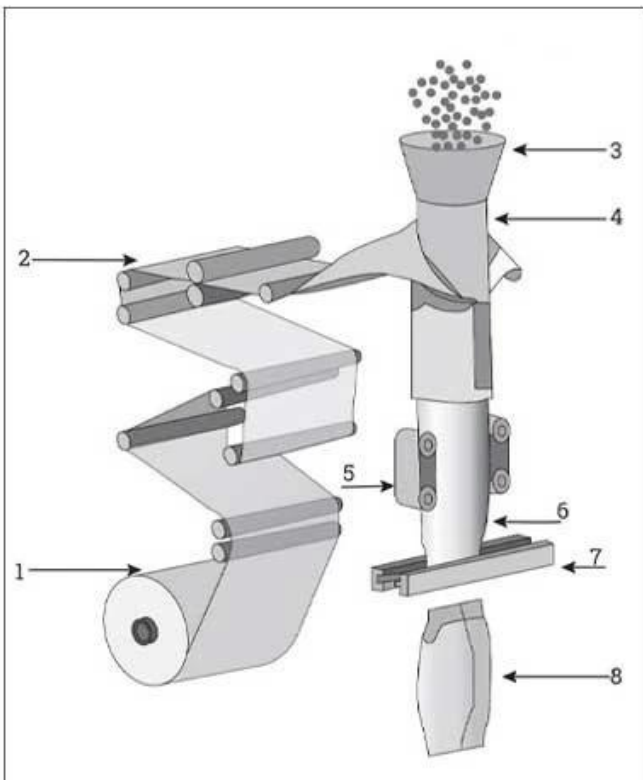


< INTRODUCE >

BBQ 包装机(型号 DS-420AZ) Foshan DESSION Packaging Machinery Co., Ltd. 专业生产。该机器适用于 BBQ 颗粒的包装，可生产多种规格的包装袋。该机器采用 PLC 控制，操作简便，维护方便。该机器具有产量高、包装精美、密封性好等优点。该机器适用于各种颗粒状物料的包装。

< APPLICATION SCENARIOS >



Back seal round hole



Back seal aircraft hole



Standard back seal



Vertical back seal



Gusseted bags



Quad seal bag

< MACHINE ADVANTAGES >

1. 采用 PLC 控制，操作简便，维护方便。
2. 产量高，包装精美，密封性好。

00 000 0 00 000000.

3. PE/000000, PE/00000 00, 00000/PE, PP 0 00 0 00 00 00 00 000 00 0 00 00 00
000 000000.

4. 00, 00, 00, 00 00, 00(00), 00 000 00 000 00000 000000.

5. 000 000000 00 00000 0 0000.

6. 00 000 000, 0 00, 00 0, 00 0, 00 0.

7. 00 000 00000 000 0000 00000 000000.

CONTACT NOW 

< DETAIL >





TOUCH SCREEN

The touch screen can store parameters and adjust them at will, which is simple and convenient

A



Z TYPE HOIST

Automatic product loading, with built-in protective cover, making it more convenient

B



ROLL FILM

Automatic film rolling, smooth film pulling without jamming, etc.



MEASURING CUP

The weight can be set, freely adjusted, accurate measurement, high precision

BAG FORMER

Automatic bag making, lapel structure, smooth lapel, intelligent bag making

E



F

HEAT SEAL CUT

Heat sealing and cutting, sealing can be customized according to needs.



CONTACT NOW



COMPANY PROFILE



FOSHAN DESSION PACKAGING MACHINERY CO., LTD.

Foshan Dession Packaging Machinery Co., Ltd. is located in China Machinery Center, Nanhai District, Foshan city. Dession is a collection of research and development, manufacturing, sales and after-sales service in one of the high-tech enterprises. It has the self-import and export rights. DE newsletter focusing on production and research and development, all kinds of bag packaging machine, filling machine, and the research and development and manufacture of automatic packaging line with superior performance advanced technology, easy operation, easy maintenance, safe, durable widely used in puffed food, snack food, frozen food, agricultural and sideline products, medicine, chemical products and other fields to meet the needs of customers.



9000

Square Meters
of Factory Buildings

15 Years

Focus on
packaging machinery

**More
than 80**

Technicians
and employees

**More
than 100**

Packing
machine models

< WORKSHOP DIAGRAM DISPLAY >



**FILLING MACHINE
WORKSHOP**

**LARGE VERTICAL
WORKSHOP**

**PILLOW MACHINE
WORKSHOP**



**SMALL VERTICAL
WORKSHOP**

**CARTONING MACHINE
WORKSHOP**

**MULTI-TRAIN
WORKSHOP**

CONTACT NOW



< CERTIFICATE DISPLAY >

it owns more than 20 authorized intellectual property rights and has passed ISO9001 certification every year.



Certificate of Honor



Patent certificate

< CUSTOMER TESTIMONIALS >

True praise and good quality are all based on customer needs

Service praise

Great job done by Foshan Dession ... I want to thank you all for this nice experience ... the next to come is the best 😊

Quality praise

Hi Christy

At the moment dont need help

we test it one time

it works

now waiting the bobbins

Quality praise

Ok. Thank you, we will inform you!!!

Thaaaaank you very much dear Alisa you are Super, perfect with your engineer 🙌🙌🙌🙌🙌🙌. Everything is ok.

77 roses for you from heart

Quality praise

Ok thanks. Am busy installing the last machine

2021

i did the installation today, perfect machine

Service praise

My pleasure , it's happy to get your good feedback on the machine

Quality praise

Hello Joe - the machine continues to run better every day. We're hoping that all the parts do not start to break with use.

If anything breaks (like the heating bar), can you send up replacement parts?

EXHIBITIONS & CUSTOMER VISITS



International exhibition



Customer visit

CONTACT NOW



< OUR SERVICE >



Worry Free After Sale

Professional after-sales team with 10 years of experience

24-hour online after-sales

Professional technical team, on-site installation service

on-site debugging training



本公司提供完善的售后服务，包括专业的技术支持和现场安装调试服务。

我们拥有经验丰富的售后服务团队，提供24小时在线技术支持。

此外，我们还提供专业的现场安装和调试培训，确保客户能够正确使用设备。

(注：具体的售后服务内容和流程，请参考我们的用户手册或联系我们的客服人员。))

< OUR SHIPPING >



我們提供多種運輸方式，包括 15-30 天，以及 DHL 等快遞服務。

常見問題

Q1. 我們提供哪些服務？

A1: 我們提供多種運輸方式，包括 15-30 天，以及 DHL 等快遞服務。我們還提供倉庫、包裝和報關等服務。

Q2. 我們提供哪些產品？

A2: 我們提供 QC 產品，包括各種規格和型號。我們還提供多種規格和型號的零件。

□□□□□.

Q3. □□□ □□□□□?

A3: □□□ □□□□□□ □□ □□□□ □□ □□□ □□ □□□ □□□□□.

Q4. □□□□ □□?

A4: □□□ □□□□ □□□□□ □□□□ □□ □□□□□ □□ □□, □□, □□ □□ □□ □ □□□ □□□□□□□. □□□□□.

Q5. □□□□ □□□ □□□□□□?

A5: □! □□ □□□ □□□□ □□□ □□□□□□□.

Q6. □□ □□□ □□□ □□□□?

A6: □□ □□□ □□ □□ □□□□□ 5-10□□ □□□□□. □□ □□□ □□□ □□ □□ 15-30□□□□□.