

## CE 雙 doypack 雙 雙 雙 雙 雙 雙

### < INTRODUCE >

"CE 雙 doypack 雙 雙 雙 雙 雙 雙" 雙 DS-GDS300-08 雙 Foshan DESSION Packaging Machinery Co., Ltd. 雙 雙 雙 雙 雙 雙. 雙 雙 雙 雙 雙 雙 雙 雙 雙 雙 雙 雙. 雙 雙 雙 雙 雙 雙 雙 雙, 雙 雙 雙, 雙 雙, 雙 雙, M 雙 雙 雙 雙 雙 雙 雙 雙. 8 雙 雙 雙 雙 雙 雙 雙 雙 雙 雙 雙 雙 雙 雙 雙 雙 雙 雙. DESSION 雙 雙 雙 雙 GMP 雙 雙 雙 雙 CE 雙 雙 雙 雙 雙 雙 雙 雙.

### < APPLICATION SCENARIOS >

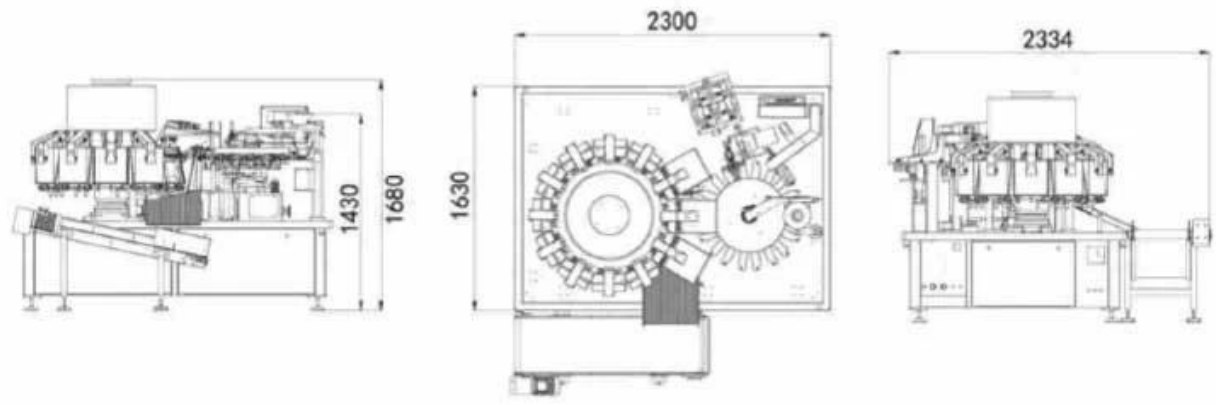


### < MACHINE ADVANTAGES >

1. 8個のポート (Ethercat 対応) を備えたネットワークポートを標準装備しています。
2. 1000mm x 1000mm の作業スペースを確保しています。
3. 1000mm x 1000mm の作業スペースを確保しています。
4. 1000mm x 1000mm の作業スペースを確保しています。
5. GMP 対応 CE 対応です。

[CONTACT NOW](#) 

< MACHINE DETAIL MARKINGS >



< DETAIL >









## **ELECTRONIC SCALE**



Combination electronic  
scale with high precision  
and accurate measure-  
ment

**A**



## **VACUUM SUCTION BAG**



The vacuum suction cup  
suckhagaically transports it  
to the work area

**B**



## VACUUM AUTOMATIGBAG OPENING



The width can be adjusted freely  
to suit the size of different prod-  
ucts



## WEIGHT SELECTION SCALE



Automatic product weighing,  
smart and efficient



[CONTACT NOW](#)





# COMPANY PROFILE



## FOSHAN DESSION PACKAGING MACHINERY CO., LTD.

Foshan Dession Packaging Machinery Co., Ltd. is located in China Machinery Center, Nanhai District, Foshan city. Dession is a collection of research and development, manufacturing, sales and after-sales service in one of the high-tech enterprises. It has the self-import and export rights. DE newsletter focusing on production and research and development, all kinds of bag packaging machine, filling machine, and the research and development and manufacture of automatic packaging line. with superior performance advanced technology, easy operation, easy maintenance, safe, durable widely used in puffed food, snack food, frozen food, agricultural and sideline products, medicine, chemical products and other fields to meet the needs of customers.



**9000**

Square Meters  
of Factory Buildings

**15 Years**

Focus on  
packaging machinery

**More  
than 80**

Technicians  
and employees

**More  
than 100**

Packing  
machine models

## < WORKSHOP DIAGRAM DISPLAY >



**FILLING MACHINE  
WORKSHOP**

**LARGE VERTICAL  
WORKSHOP**

**PILLOW MACHINE  
WORKSHOP**



**SMALL VERTICAL  
WORKSHOP**

**CARTONING MACHINE  
WORKSHOP**

**MULTI-TRAIN  
WORKSHOP**

**CONTACT NOW**





## < CERTIFICATE DISPLAY >

it owns more than 20 authorized intellectual property rights and has passed ISO9001 certification every year.



### Certificate of Honor



### Patent certificate

# < CUSTOMER TESTIMONIALS >

True praise and good quality are all based on customer needs

Great job done by Foshan Dession ... I want to thank you all for this nice experience ... the next to come is the best

Ok. Thank you, we will inform you!!!

Thaaaaank you very much dear Alisa you are Super, perfect with your engineer. Everything is ok.

77 roses for you from heart

Ok thanks. Am busy installing the last machine

i did the installation today, perfect machine

Hello Joe - the machine continues to run better every day. We're hoping that all the parts do not start to break with use. If anything breaks (like the heating bar), can you send up replacement parts?

Hi Christy

At the moment dont need help we test it one time

it works

now waiting the bobbins

Okay good luck

All the best

Thank you

First you use the machine and any thing you need you can ask me

Thanks

My pleasure , it's happy to get your good feedback on the machine

It's good And your service is excellent Your Boss must give increase

Service praise

Quality praise

Quality praise

Quality praise

Quality praise



# EXHIBITIONS & CUSTOMER VISITS



## International exhibition



## Customer visit

CONTACT NOW



## < OUR SERVICE >



### Worry Free After Sale

Professional after-sales team with 10 years of experience

24-hour online after-sales

Professional technical team, on-site installation service

on-site debugging training



本公司提供完善的售后服务，包括专业的技术支持和现场安装调试服务。

我们拥有经验丰富的售后服务团队，提供24小时在线技术支持。

此外，我们还提供专业的现场安装和调试培训，确保客户能够正确使用设备。

(注：具体的售后服务内容和流程，请参考我们的用户手册或联系我们的客服人员。) )



## < OUR SHIPPING >



□□□ □□□ □□ □□ □□ □□ 15-30□, □□, □□ □□ □□(DHL □)□□□.

□□□□ □□

Q1. □□□ □□□□□□□□?

A1: □□□□□, □□□ □□□ □□□ □□ □ □□ □□□ □□□□□□□□, □□□ □□□ □□□ □□ □□□ □□ □□ □□□□□.

Q2. □□□ □□□ □□□□□□?

A2: □□□ □□□□ QC □□ □□ □□□ □□□ □□□□ □□ □□□□ □□, □□ □□ □ □□□ □□□□ □□□ □□□

□□□□□.

Q3. □□□ □□□□□?

A3: □□□ □□□□□□ □□ □□□□ □□ □□□ □□ □□□ □□□□□.

Q4. □□□□ □□?

A4: □□□ □□□□ □□□□□ □□□□ □□ □□□□□ □□ □□, □□, □□ □□ □□ □ □□□ □□□□□□□. □□□□□.

Q5. □□□□ □□□ □□□□□□?

A5: □! □□ □□□ □□□□ □□□ □□□□□□□.

Q6. □□ □□□ □□□ □□□□?

A6: □□ □□□ □□ □□ □□□□□ 5-10□□ □□□□□. □□ □□□ □□□ □□ □□ 15-30□□□□□.