

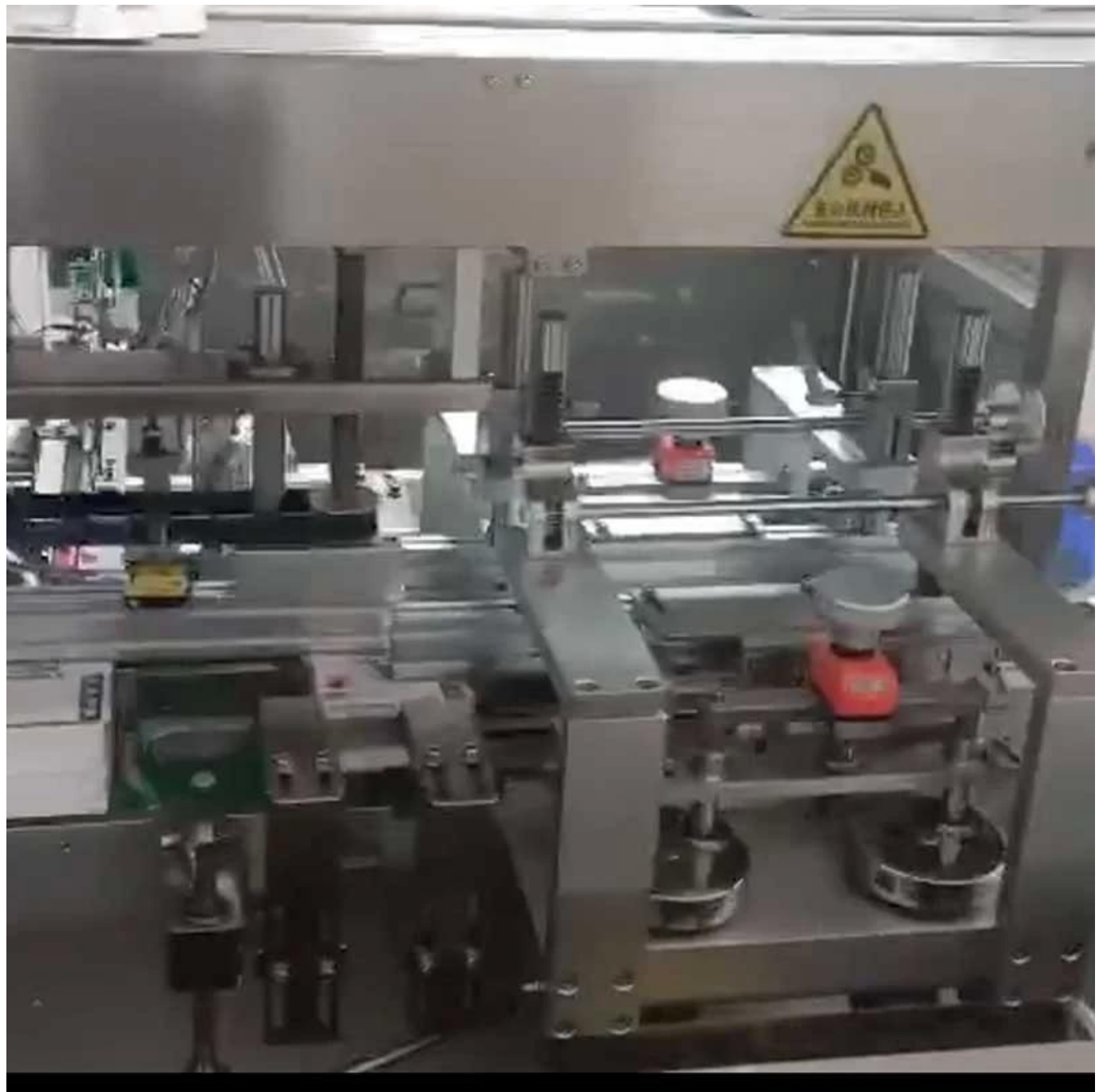
佛山 Foshan



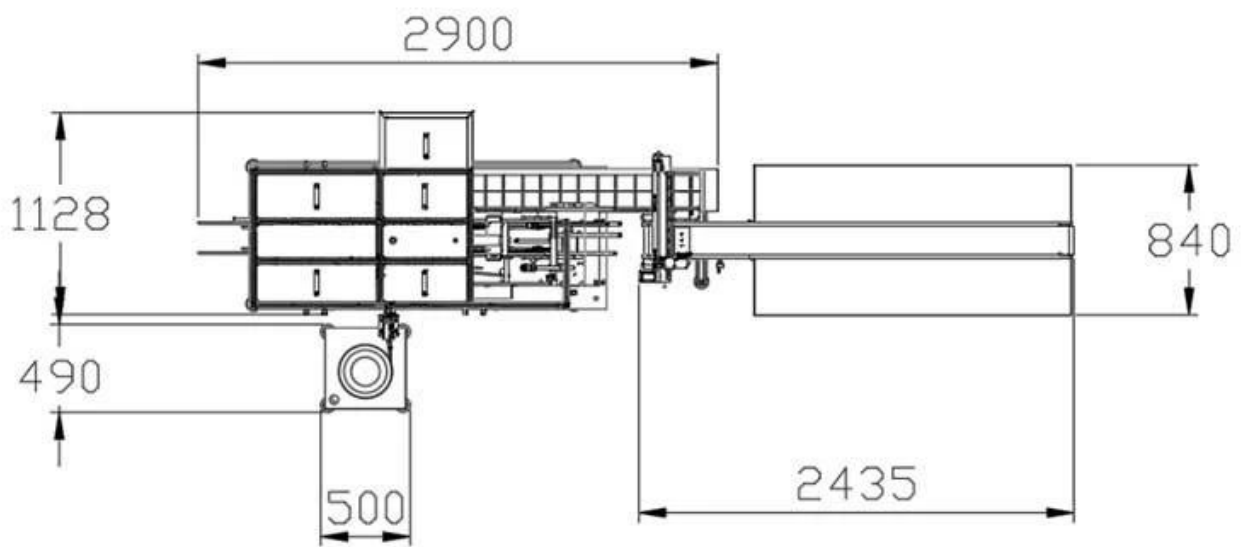
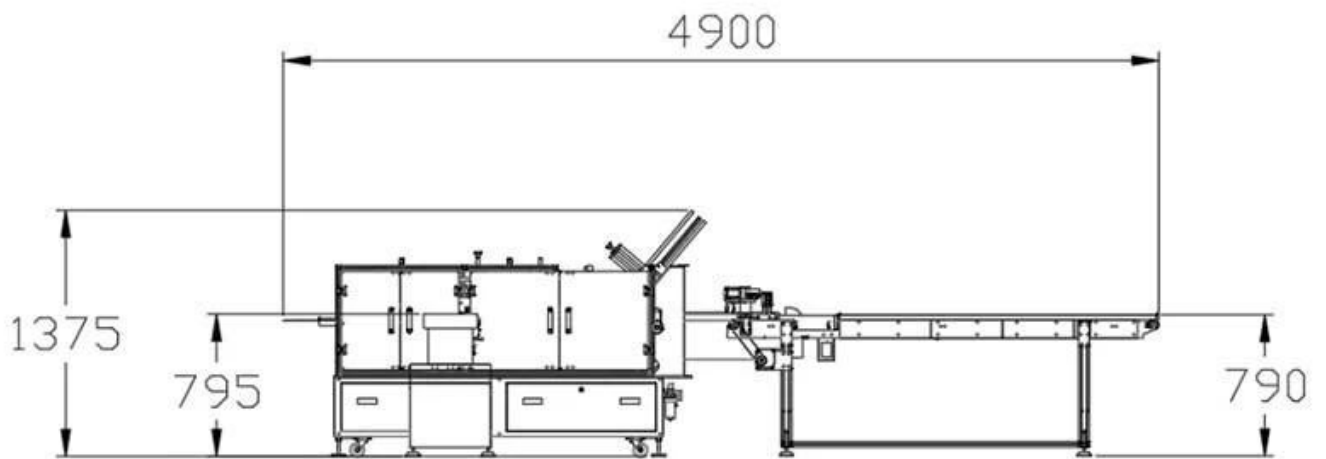
佛山





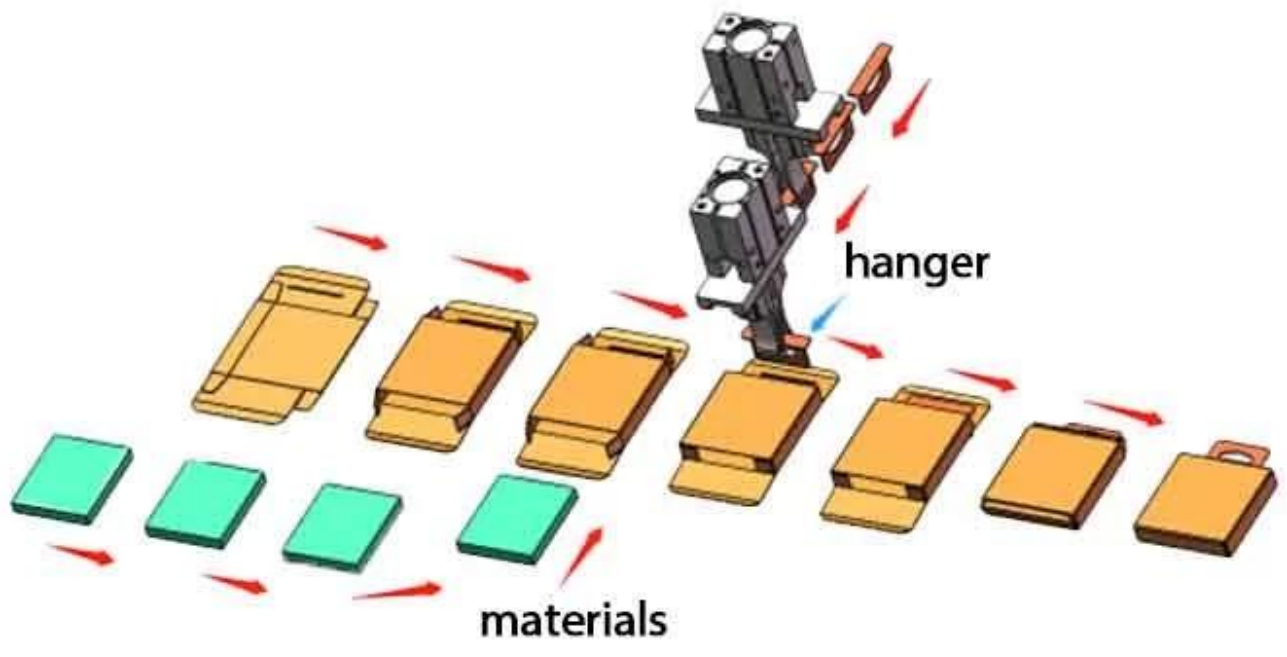






Contact us 





□□ □□

□ □□□ □□, □□ □ □□□ □□□□ PLC □□ □□□ □□□□□. □□ □□□ □□ □□ □□ □□□ □□□□□. □□ □□□□ □□□ □□□ □□ □□□□□. □□□ □□ □□ □□ □□□ □□□ □ □□□ □□ □□ □□ □□ □□□ □□□ □□□□ □□□ □ □□□□. □□□ □ □ □□□ □ □□□□!

□□ □□

□□:	DS-DE040
□□ □□ □□:	BL80-200 * W25-80 * H15-50mm AL80-200 * W80-160 * H15-50mm (□□□□ □□ □□ □□ □□)
□□ □□ □□ □□:	300g/m ² ≤ □□□ □□: 350g/m ² ≤ 450g/m ²
□□ □□ □□:	□□ □□□ □□□ 0.4mm □□□□ □□ □□ □□□ □□□□.
□□ □□:	30-40 □□/□
□ □□:	1.5KW
□□ □□:	□ L4900 * W1600 * H1375mm
□□ □□:	□ 1.3T



About us



Foshan Dession □□ □□□□ Co., □□ □□□ □□ □□□□ □□---Foshan Nanhai □□□□, □□□□ □□ □□ 300 □ □□/□□□ 200 □□□□. Dession□ □□, □□ □ □□□ □□□□ □□□□ □□ □□□□□□. □□□□ □□□, □□□ □□□/□□□ □□□□, □□ □□ □□□, □□ □□□ □ □□ □□□ □□ □□□□□ □□□□ □□□ □ □□□ □□□□ □□□□□ □□□ □□ □□□ □□□□□. □□□□ □□□ □□□□ □□□□ □□□□ □□□ □□ □□□ CE □□□ □□□□□□□□.

Our Customers •



Contact us

Our Advantage •

On-site installation,
commissioning and training

Specially customized
based on actual situation



High automation, simple
operation and labor saving

Life long technical
service support

Dession...
...
...
...
...
...

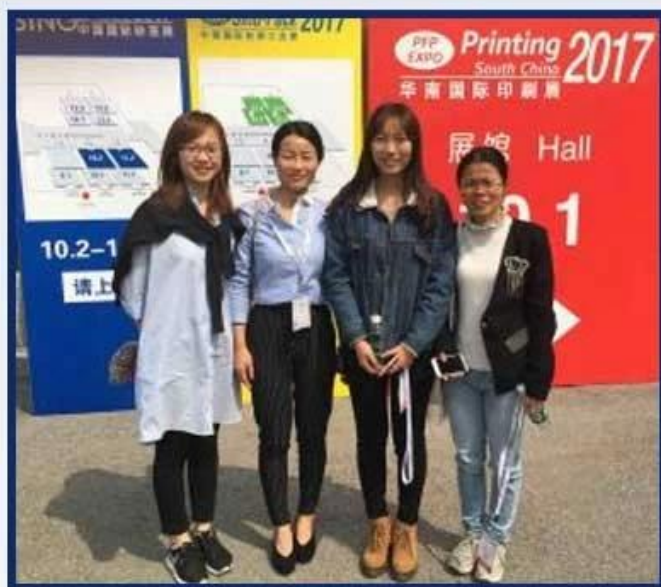
AFTER-SALES SERVICE



1. ...
2. ...
3. ...

(...)

EXHIBITION RECORD



Contact us

PACKAGING SHIPPING ● —————



15-30 日, DHL

