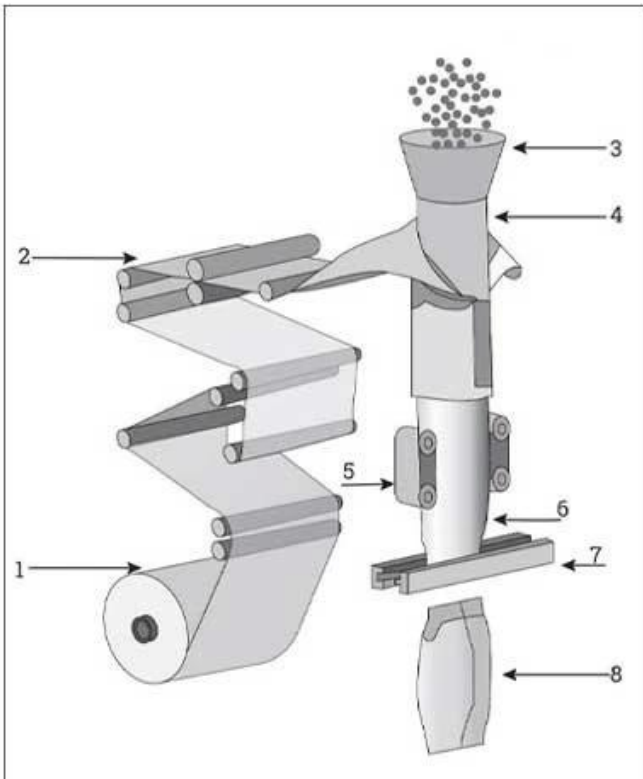


< INTRODUCE >

Foshan DESSION Packaging Machinery Co., Ltd. is a professional manufacturer of various types of packaging machinery. The company has a complete set of production equipment and a large number of experienced technicians. The company's products are widely used in various industries, such as food, medicine, and chemicals. The company's products are of high quality and reliable performance.

< APPLICATION SCENARIOS >



Back seal round hole



Back seal aircraft hole



Standard back seal



Vertical back seal



Gusseted bags



Quad seal bag

< MACHINE ADVANTAGES >

1. PLC control: PLC control system, automatic operation, high precision, and high efficiency.
2. Material adaptability: The machine can adapt to various materials, such as granules, powder, and small pieces.
3. Bag shape adaptability: The machine can adapt to various bag shapes, such as round hole, aircraft hole, and standard back seal.

4. 此機可處理多種不同規格之產品，且可調整出料量。此機可處理多種不同規格之產品，且可調整出料量。
5. 此機可處理多種不同規格之產品，且可調整出料量。此機可處理多種不同規格之產品，且可調整出料量。

[CONTACT NOW](#) 

< [DETAIL](#) >





TOUCH SCREEN

The touch screen can store parameters and adjust them at will, which is simple and convenient

A



Z TYPE HOIST

Automatic product loading, with built-in protective cover, making it more convenient

B



ROLL FILM

Automatic film rolling, smooth film pulling without jamming, etc.

C



D

MEASURING CUP

The weight can be set, freely adjusted, accurate measurement, high precision



BAG FORMER

Automatic bag making, lapel structure, smooth lapel, intelligent bag making

E



F

HEAT SEAL CUT

Heat sealing and cutting, sealing can be customized according to needs.



CONTACT NOW



COMPANY PROFILE



FOSHAN DESSION PACKAGING MACHINERY CO., LTD.

Foshan Dession Packaging Machinery Co., Ltd. is located in China Machinery Center, Nanhai District, Foshan city. Dession is a collection of research and development, manufacturing, sales and after-sales service in one of the high-tech enterprises. It has the self-import and export rights. DE newsletter focusing on production and research and development, all kinds of bag packaging machine, filling machine, and the research and development and manufacture of automatic packaging line with superior performance advanced technology, easy operation, easy maintenance, safe, durable widely used in puffed food, snack food, frozen food, agricultural and sideline products, medicine, chemical products and other fields to meet the needs of customers.



9000

Square Meters
of Factory Buildings

15 Years

Focus on
packaging machinery

**More
than 80**

Technicians
and employees

**More
than 100**

Packing
machine models

< WORKSHOP DIAGRAM DISPLAY >



**FILLING MACHINE
WORKSHOP**

**LARGE VERTICAL
WORKSHOP**

**PILLOW MACHINE
WORKSHOP**



**SMALL VERTICAL
WORKSHOP**

**CARTONING MACHINE
WORKSHOP**

**MULTI-TRAIN
WORKSHOP**

CONTACT NOW



< CERTIFICATE DISPLAY >

it owns more than 20 authorized intellectual property rights and has passed ISO9001 certification every year.



Certificate of Honor



Patent certificate

< CUSTOMER TESTIMONIALS >

True praise and good quality are all based on customer needs

Service praise

Great job done by Foshan Dession ... I want to thank you all for this nice experience ... the next to come is the best 🤔

Quality praise

Hi Christy

At the moment dont need help

we test it one time

it works

now waiting the bobbins

Quality praise

Ok. Thank you, we will inform you!!!

Thaaaaank you very much dear Alisa you are Super, perfect with your engineer 🙌🙌🙌🙌🙌🙌. Everything is ok.

77 roses for you from heart

Quality praise

Ok thanks. Am busy installing the last machine

2021

i did the installation today, perfect machine

Service praise

My pleasure , it's happy to get your good feedback on the machine

It's good And your service is excellent Your Boss must give increase

Quality praise

成 Neal 美国单工位预制袋混合沙

Hello Joe - the machine continues to run better every day. We're hoping that all the parts do not start to break with use.

If anything breaks (like the heating bar), can you send up replacement parts?

EXHIBITIONS & CUSTOMER VISITS



International exhibition



Customer visit

CONTACT NOW



< OUR SERVICE >



Worry Free After Sale

Professional after-sales team with 10 years of experience

24-hour online after-sales

Professional technical team, on-site installation service

on-site debugging training



本公司提供專業的售後服務，包括安裝、調試、培訓等。

我們擁有十年的售後服務經驗，提供24小時線上售後服務。

我們擁有專業的技術團隊，提供現場安裝服務、現場調試培訓。

(備註：本公司提供專業的售後服務，包括安裝、調試、培訓等，詳情請洽本公司銷售部。)

< OUR SHIPPING >



□□□ □□□ □□ □□□ □□ □□ 15-30□, □□, □□ □□ □□(DHL □)□□□.

□□□□ □□

Q1. □□□ □□□□□□□□?

A1: □□□□□, □□□ □□□ □□□ □□ □ □□ □□□ □□□□□□□□, □□□ □□□ □□□ □□ □□□ □□ □□ □□□□□.

Q2. □□□ □□□ □□□□□□?

A2: □□□ □□□□ QC □□ □□ □□□ □□□ □□□□ □□ □□□□ □□, □□ □□ □ □□□ □□□□ □□□ □□□

□□□□□□.

Q3. □□□ □□□□□□?

A3: □□□ □□□□□□ □□ □□□□ □□ □□□ □□ □□□ □□□□□□.

Q4. □□□□ □□?

A4: □□□ □□□□ □□□□□ □□□□ □□ □□□□□ □□ □□, □□, □□ □□ □□ □ □□□ □□□□□□□□. □□□□□□.

Q5. □□□□ □□□ □□□□□□□?

A5: □! □□ □□□ □□□□ □□□ □□□□□□□.

Q6. □□ □□□ □□□ □□□□□?

A6: □□ □□□ □□ □□ □□□□□ 5-10□□ □□□□□□. □□ □□□ □□□ □□ □□ 15-30□□□□□.