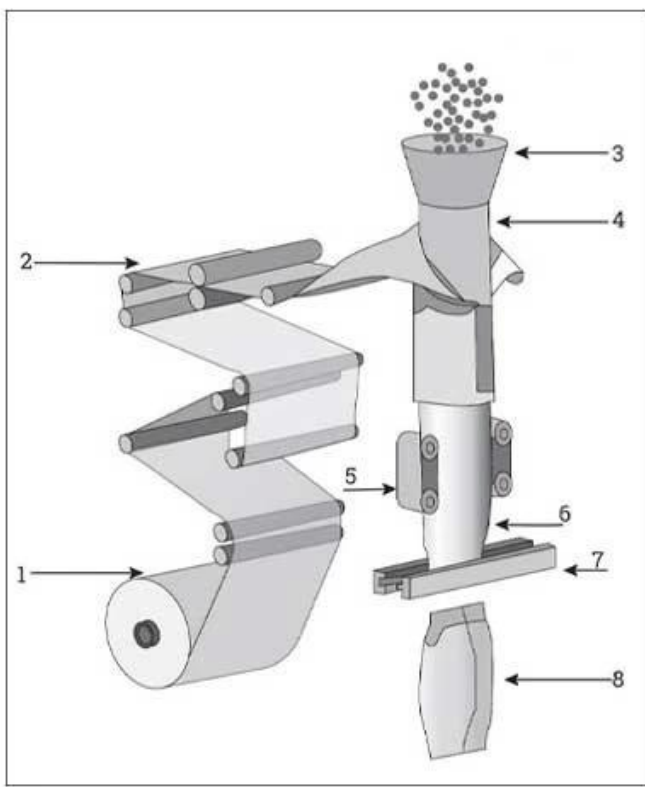


5kg 10kg 15kg

< INTRODUCE >

"5kg 10kg 15kg" Foshan DESSION Packaging Machinery Co., Ltd.

< APPLICATION SCENARIOS >



Back seal round hole Back seal aircraft hole Standard back seal



Vertical back seal Gusseted bags Quad seal bag

< MACHINE ADVANTAGES >

1. CE .
2.
3. PLC
4. 10

5. 鋼 鋼鋼 鋼鋼 鋼鋼鋼 鋼鋼 鋼鋼鋼 鋼鋼鋼鋼.
6. 鋼鋼 鋼 鋼 鋼 PE 鋼 鋼鋼鋼 鋼鋼 鋼 鋼 鋼 鋼 鋼.
7. 鋼鋼鋼 鋼鋼, 鋼鋼鋼鋼, 鋼鋼鋼, 鋼 鋼
8. 鋼 鋼, 鋼, 鋼, 鋼 鋼鋼 鋼 鋼 鋼鋼鋼鋼鋼.



DETAIL





TOUCH SCREEN

The touch screen can store parameters and adjust them at will, which is simple and convenient

A



LINEAR WEIGHING SCALE

Measure and combine materials by dividing them equally, which is smart and efficient.

B



ROLL FILM

Automatic film rolling, smooth film pulling without jamming, etc.

C



MIDDLE SEAL

Heat sealing by heating, the seal is beautiful, tight and efficient

D



BAG FORMER

Automatic bag making, lapel structure, smooth lapel, intelligent bag making

E



F

HEAT SEAL CUT

Heat sealing and cutting, sealing can be customized according to needs.



< COMPANY PROFILE >



FOSHAN DESSION PACKAGING MACHINERY CO., LTD.

Foshan Dession Packaging Machinery Co., Ltd. is located in China Machinery Center, Nanhai District, Foshan city. Dession is a collection of research and development, manufacturing, sales and after-sales service in one of the high-tech enterprises. It has the self-import and export rights. DE newsletter focusing on production and research and development, all kinds of bag packaging machine, filling machine, and the research and development and manufacture of automatic packaging line. with superior performance advanced technology, easy operation, easy maintenance, safe, durable widely used in puffed food, snack food, frozen food, agricultural and sideline products, medicine, chemical products and other fields to meet the needs of customers.



9000

Square Meters
of Factory Buildings

15 Years

Focus on
packaging machinery

**More
than 80**

Technicians
and employees

**More
than 100**

Packing
machine models

< WORKSHOP DIAGRAM DISPLAY >



**FILLING MACHINE
WORKSHOP**

**LARGE VERTICAL
WORKSHOP**

**PILLOW MACHINE
WORKSHOP**



**SMALL VERTICAL
WORKSHOP**

**CARTONING MACHINE
WORKSHOP**

**MULTI-TRAIN
WORKSHOP**

< CERTIFICATE DISPLAY >

it owns more than 20 authorized intellectual property rights and has passed ISO9001 certification every year.



Certificate of Honor



Patent certificate

< CUSTOMER TESTIMONIALS >

True praise and good quality are all based on customer needs

Service praise

Great job done by Foshan Dession ... I want to thank you all for this nice experience ... the next to come is the best 😊

Quality praise

Hi Christy

At the moment dont need help

we test it one time

it works

now waiting the bobbins

Quality praise

Ok. Thank you, we will inform you!!!

Thaaaaank you very much dear Alisa you are Super, perfect with your engineer 🙌🙌🙌🙌🙌. Everything is ok.

77 roses for you from heart

Quality praise

Ok thanks. Am busy installing the last machine

2021

i did the installation today, perfect machine

Service praise

My pleasure , it's happy to get your good feedback on the machine

It's good And your service is excellent Your Boss must give increase

Quality praise

成 Neale 美国单工位预制袋混合沙

Hello Joe - the machine continues to run better every day. We're hoping that all the parts do not start to break with use.

If anything breaks (like the heating bar), can you send up replacement parts?

EXHIBITIONS & CUSTOMER VISITS



International exhibition



Customer visit

< OUR SERVICE >



Worry Free After Sale

Professional after-sales team with 10 years of experience

24-hour online after-sales

Professional technical team, on-site installation service

on-site debugging training



本公司提供專業的售後服務，包括安裝、調試、培訓、維修等。

我們擁有十年的售後服務經驗，提供24小時線上售後服務。

我們擁有專業的技術團隊，提供現場安裝服務、現場調試培訓。

(備註：本公司提供專業的售後服務，包括安裝、調試、培訓、維修等。詳情請洽本公司售後服務部。)

< OUR SHIPPING >



我們提供多種運輸方式，包括 15-30 天，以及 DHL 等快遞服務。

常見問題

Q1. 我們提供哪些服務？

A1: 我們提供多種運輸方式，包括 15-30 天，以及 DHL 等快遞服務。我們還提供倉庫、包裝和報關服務。

Q2. 我們提供哪些產品？

A2: 我們提供 QC 產品，包括各種規格和型號。我們還提供定制服務，以滿足您的特定需求。

□□□□□.

Q3. □□□ □□□□□?

A3: □□□ □□□□□□ □□ □□□□ □□ □□□ □□ □□□ □□□□□.

Q4. □□□□ □□?

A4: □□□ □□□□ □□□□□ □□□□ □□ □□□□□ □□ □□, □□, □□ □□ □□ □ □□□ □□□□□□□. □□□□□.

Q5. □□□□ □□□ □□□□□□?

A5: □! □□ □□□ □□□□ □□□ □□□□□□□.

Q6. □□ □□□ □□□ □□□□?

A6: □□ □□□ □□ □□ □□□□□ 5-10□□ □□□□□. □□ □□□ □□□ □□ □□ 15-30□□□□□.