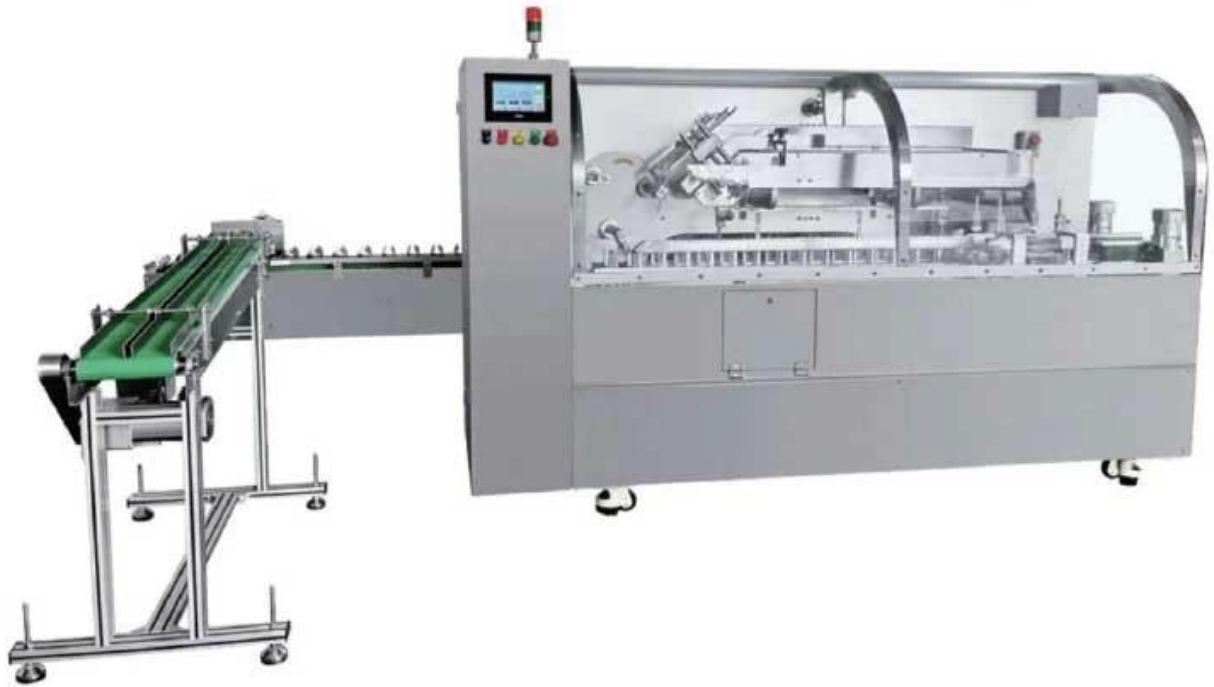


德迅 德迅 德迅 德迅 德迅 德迅 德迅 德迅 德迅 德迅 德迅 德迅 德迅 德迅 德迅

德迅 *Dession*®



德迅 德迅









place for empty boxes



Customizable, according to box size and dimensions



Vacuum suction box



Vacuum picks up the box with a quick turn and puts it in the transport belt



product push



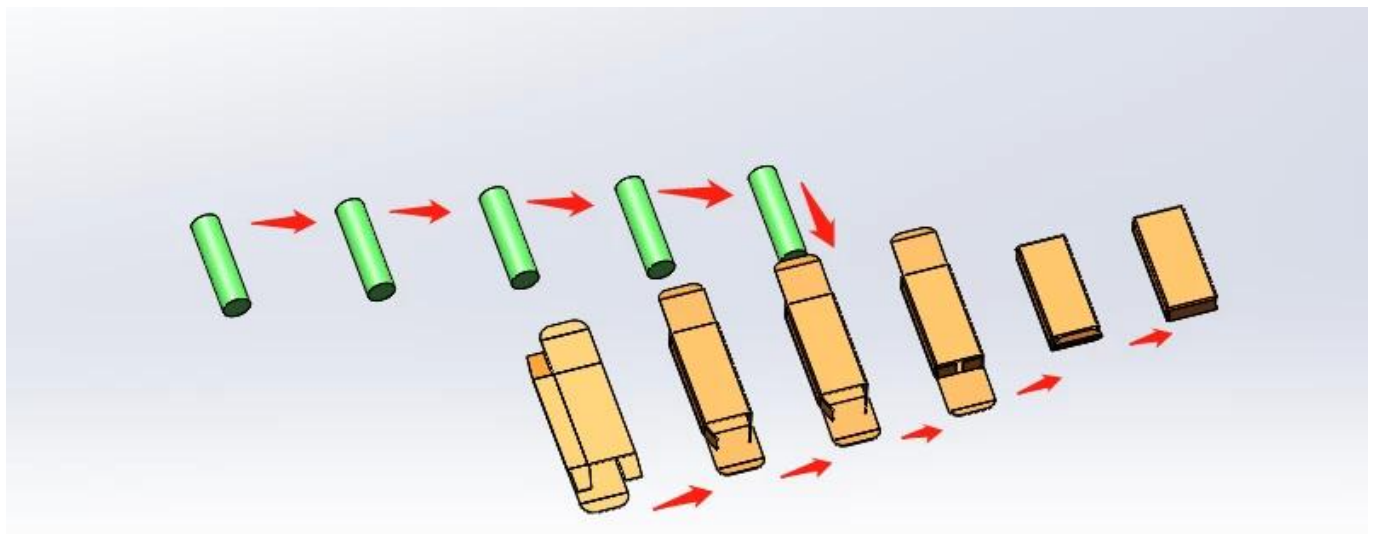
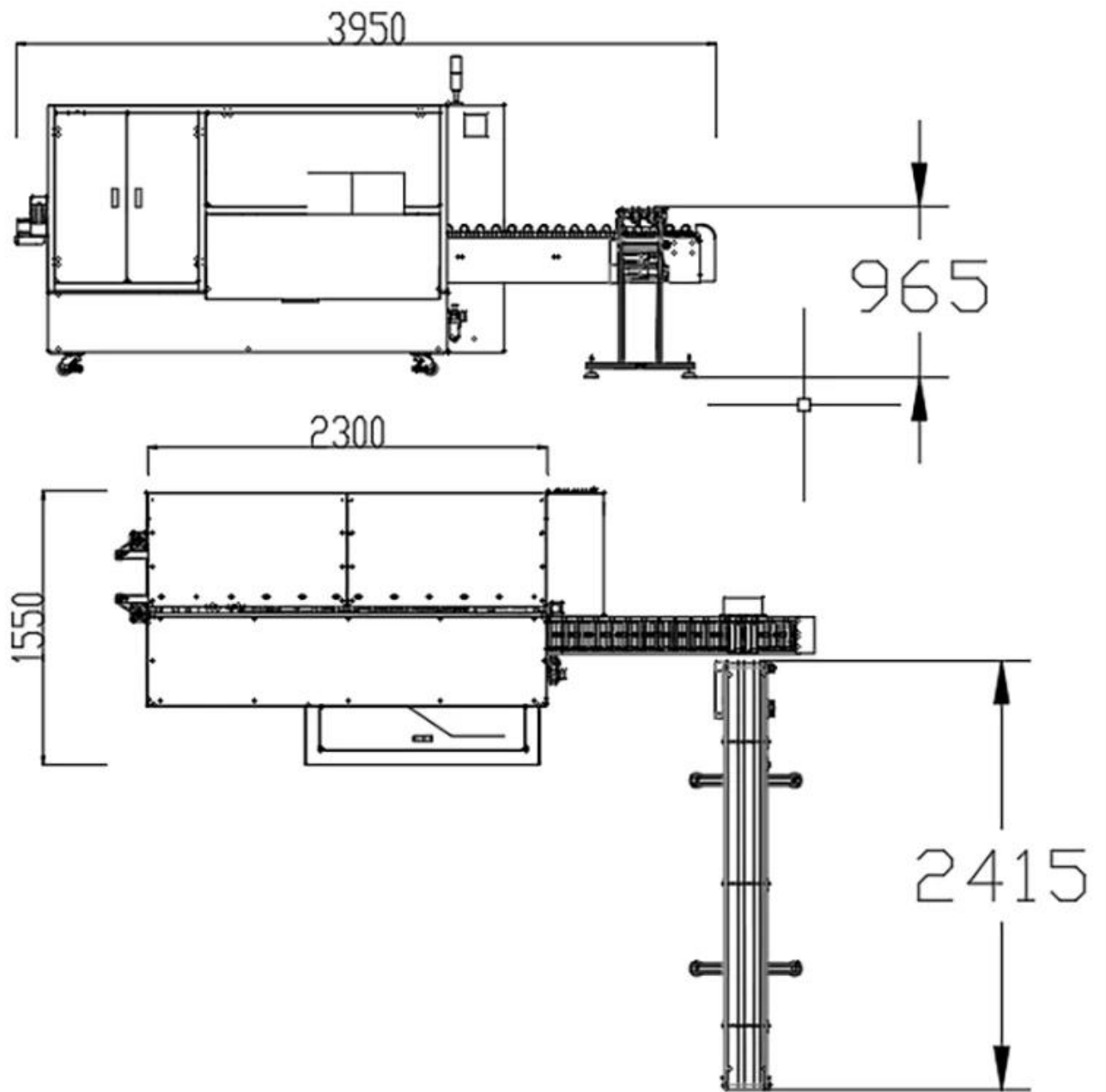
Automatic induction, boosting the product into the box



folding device



Under high-speed operation, it can be folded automatically and quickly, and the production can be completed



DS-GS150

Model: DS-GS150 100-150 boxes/min automatic paper box machine.

Carton size range: L 110-200 * W 30-70 * H 18-45mm (can be customized according to product).

Paper Requirements Scope: 300 g/m² ≤ Best for paper: 350 g/m² ≤ 450 g/m²

Paper requirements: The indentation of the paper box is not less than 0.4mm, with a pre folding effect

Production capacity: 100-150 boxes/min

DS-GS150

Model:	DS-GS150
carton size range:	L 110-200 * W 30-70 * H 18-45mm (can be customized according to product)
Paper Requirements Scope:	300 g/m ² ≤ Best for paper: 350 g/m ² ≤ 450 g/m ²
Paper requirements:	The indentation of the paper box is not less than 0.4mm, with a pre folding effect
Production capacity:	100-150box/min
Total power:	3 KW
Equipment dimensions:	About L3950 * W1550 * H1730mm
Machine weight:	About 2T

Company profile

Foshan Dession packaging machinery Co., Ltd. is located in Nanhai District, Foshan city, China machinery center, is a collection of research and development, manufacturing, sales and after-sales service in one of the high-tech enterprises, with self-import and export rights. DE newsletter focusing on production and research and development, all kinds of bag packaging machine, filling machine, and the research and development and manufacture of automatic packaging line, with superior performance, advanced technology, easy operation, easy maintenance, safe, durable, widely used in puffed food, snack food, frozen food, agricultural and sideline products, medicine, chemical products, metal products and other fields, to meet the needs of customers.



EXHIBITIONS



Our Customers





Contact us

Our Advantage

On-site installation,
commissioning and training

Specially customized
based on actual situation



High automation, simple
operation and labor saving

Life long technical
service support

1. 我們提供專業的包裝服務，確保您的貨物在運輸過程中安全無損。
 2. 我們提供多種運輸方案，包括海運、空運和陸運，以滿足您的不同需求。
 3. 我們提供專業的倉儲服務，確保您的貨物在運輸過程中得到妥善存放。
 4. 我們提供專業的物流服務，確保您的貨物能夠準時、準確地送到您的目的地。

PACKAGING SHIPPING



我們提供專業的包裝服務，確保您的貨物在運輸過程中安全無損 (DHL)

AFTER-SALES SERVICE



1. 我們提供專業的安裝服務，確保您的設備能夠正常運行。
2. 我們提供專業的維修服務，確保您的設備在出現故障時能夠得到及時修復。
3. 我們提供專業的培訓服務，確保您的員工能夠正確使用設備。

(註：我們提供專業的包裝服務，確保您的貨物在運輸過程中安全無損。)