







Conveyor belt



The electric eye induction product is transported to the cartoning machine, and the conveyor belt transports the product



Vacuum suction box



Vacuum suction box, open the box, make the empty box open



Product push



Automatic induction, boosting the product into the box



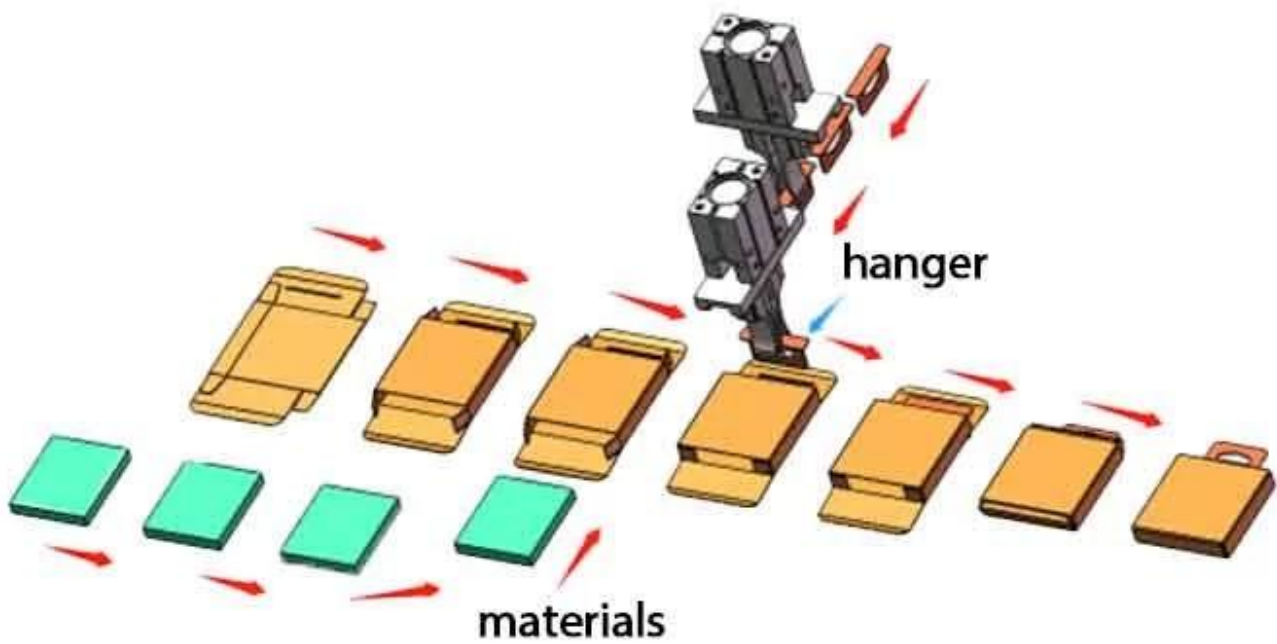
Folding device

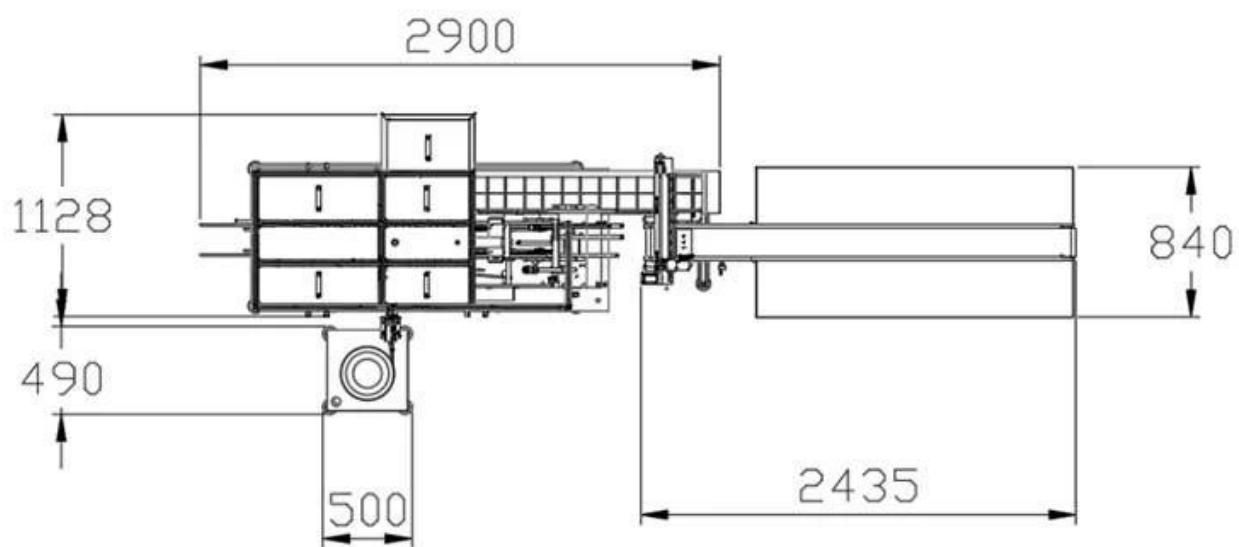
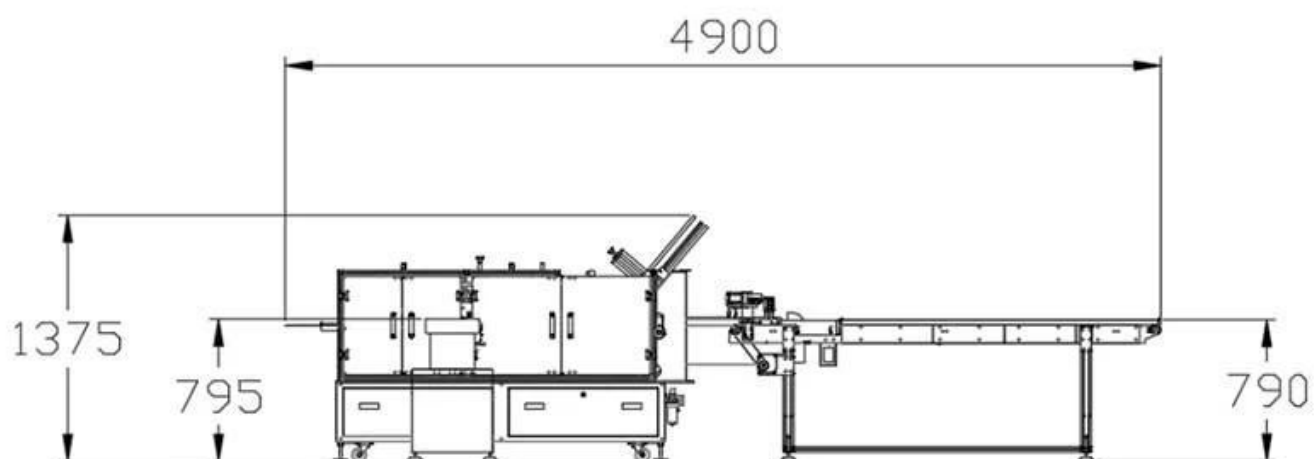


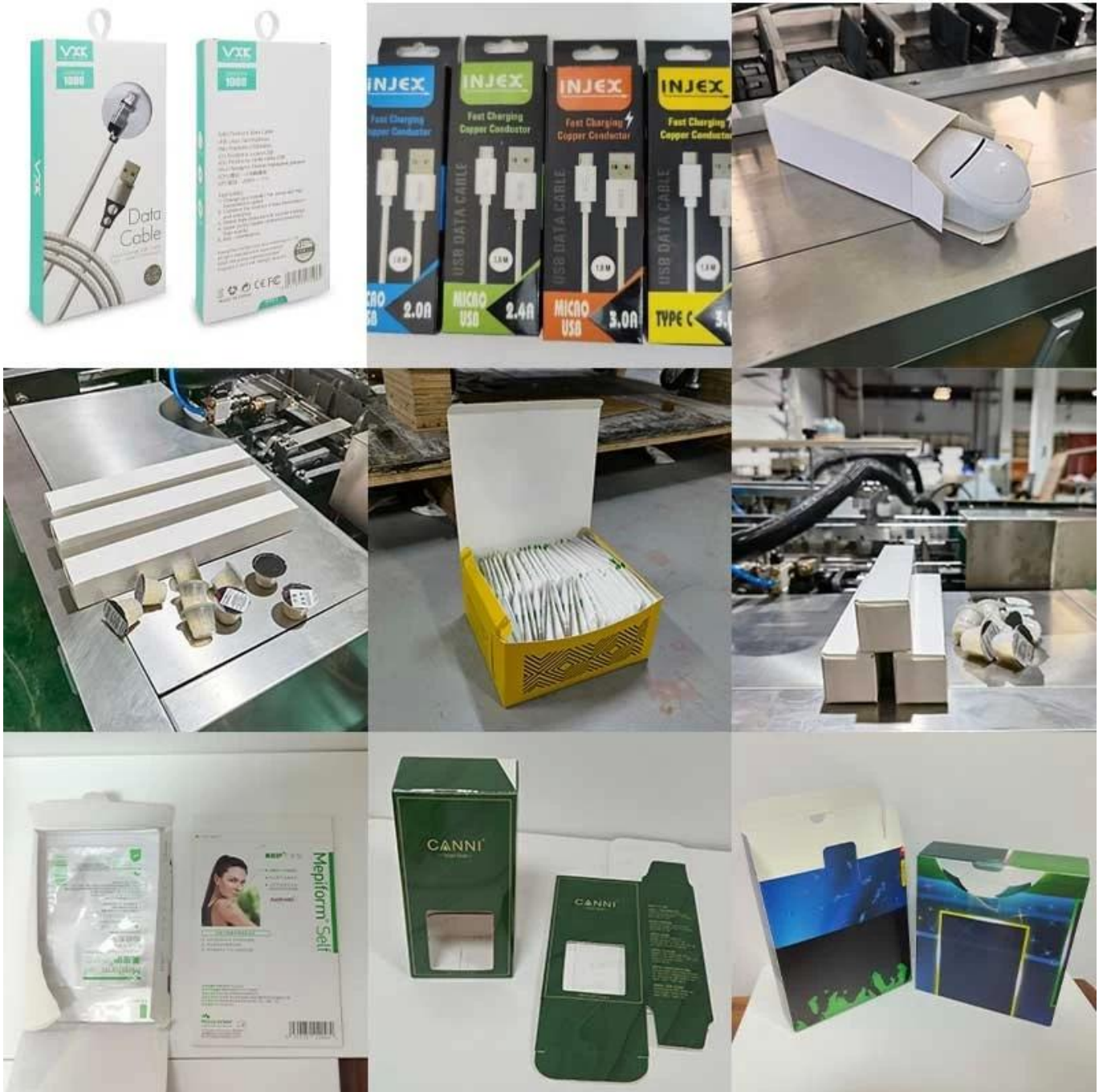
It can be folded automatically no indentation when folded, and the box is complete

Contact us

□□□□□□







□□ □□

□□□ □□: □□□ □, □□ □ □□□ PLC □□ □□□ □□□□ □□□□ □□□□ □□□□ □□□□.

□□ □□ □□□: □□ □□□ □□ □□ □□ □□ □□ □□ □□□ □□□□ □□□ □□□ □□□□.

□□ □□□ □□□: □□□□ □ □□□□ □□□ □□□ □ □□ □□□ □□ □ □□□ □□□□ □□□ □□□ □□□□ □□□.

□□□ □□□: □□ 30-40□□□ □□ □□□ □□□□ □□□□ □□ □□□ □□ □□□ □□□□.

□□□ □□□: □□ □□□□ □□□ □□□ □□□□ □□□ □□ □□□ □□□ □□□ □□□ □□□□ □□□□.

Model:	DS-DE040
carton size range:	BL80-200 * W25-80 * H15-50mm AL80-200 * W80-160 * H15-50mm (can be customized according to product)
Paper Requirements Scope:	300 g/m2 ≤ Best for paper:350 g/m2 ≤ 450 g/m2
Paper requirements:	The indentation of the paper box is not less than 0.4mm, with a pre folding effect
Production capacity:	30-40 box/min
Total power:	1.5 KW
Equipment dimensions:	About L4900 * W1600 * H1375mm
Machine weight:	About 1.3T



About us



Foshan Dession 德恩包装机械 Co., 德恩包装机械有限公司---Foshan Nanhai 南海区, 德恩包装机械 300 多名员工 2000 多名工人。
Dession 德恩, 德恩包装机械有限公司 德恩包装机械有限公司。德恩包装机械, 德恩包装机械/德恩包装机械, 德恩包装机械, 德恩包装机械 德恩包装机械 德恩包装机械 8000 多名员工 德恩包装机械 德恩包装机械 德恩包装机械。德恩包装机械 the CE 认证。

Our Customers •



Contact us

Our Advantage •

On-site installation,
commissioning and training

Specially customized
based on actual situation



High automation, simple
operation and labor saving

Life long technical
service support

Dession...
...
...
...
...
...

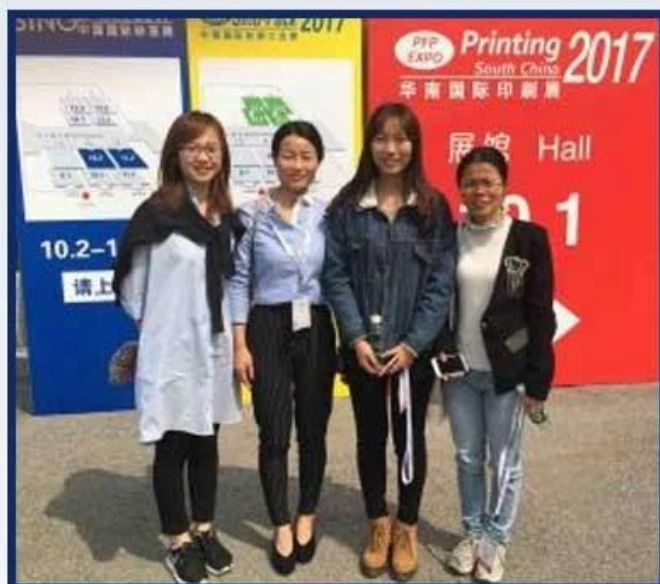
AFTER-SALES SERVICE



1. ...
2. ...
3. ...

(...)

EXHIBITION RECORD



Contact us

PACKAGING SHIPPING ● —————



15-30 日, 100, 100 日 (DHL 日)

