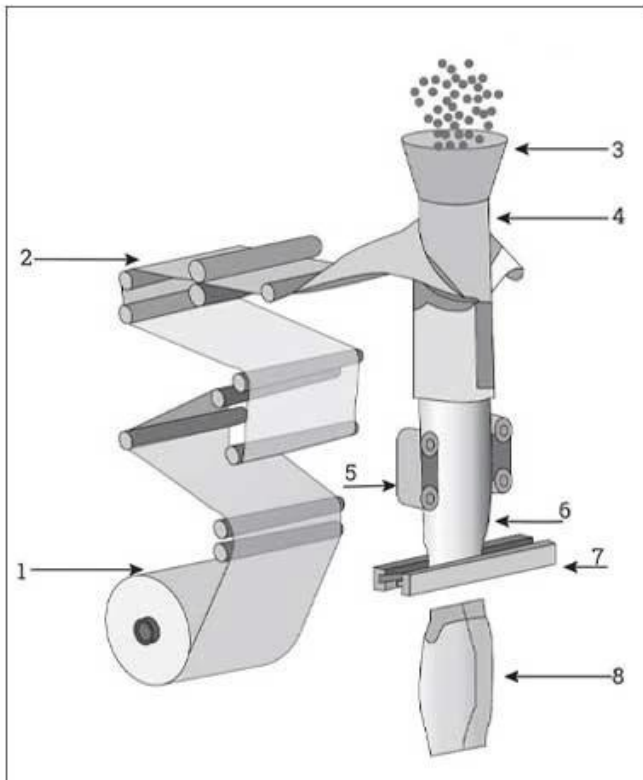


## Automatic BBQ wood pellet packaging machine price

### < INTRODUCE >

The Automatic BBQ Wood Pellet Packaging Machine, Model DS-420AZ, is a cutting-edge packaging solution designed and manufactured by Foshan DESSION Packaging Machinery Co., Ltd. This high-tech machine is specifically tailored for packaging BBQ wood pellets efficiently and precisely. It incorporates advanced technology, automation, and user-friendly features, making it an ideal choice for businesses in the food packaging industry. With its exceptional performance, ease of operation, and versatility, this machine meets the diverse packaging needs of various industries.

### < APPLICATION SCENARIOS >



Back seal  
round hole



Back seal  
aircraft hole



Standard  
back seal



Vertical back seal



Gusseted bags



Quad seal bag

## < MACHINE ADVANTAGES >

1. The machine adopts a high-precision servo film transport system, PLC Program Control, developed a touchable Human-machine Interface of Advanced Automatic Positioning, Photoelectric Tracking, Digital Temperature Control, etc.
2. Operation is more Simple, and perfect. It is the first choice of the food packaging industry to Improve production efficiency, reduce Labor Intensity, and improve the grade of packaging equipment.
3. Transverse and longitudinal sealing Temperature Control independently, suitable for PE/polyethylene, PE/aluminum plating, pet/PE, PP, and other heat-sealing packaging materials, etc.
4. It completes the whole procedure of filling, measuring, bagging, date printing, charging(exhausting), and product out-putting automatically.
5. High precision, and high efficiency without crashing the materials.
6. Packaging style diversified, back sealing, gusset bag, continuous bags, punching, etc.
7. Work environment quiet, low noise, saving energy.

CONTACT NOW



< **DETAIL** >







## TOUCH SCREEN

The touch screen can store parameters and adjust them at will, which is simple and convenient

A



B

## Z TYPE HOIST

Automatic product loading, with built-in protective cover, making it more convenient

## ROLL FILM

Automatic film rolling, smooth film pulling without jamming, etc.

C



D

## MEASURING CUP

The weight can be set, freely adjusted, accurate measurement, high precision





## BAG FORMER

Automatic bag making, lapel structure, smooth lapel, intelligent bag making

E



F

## HEAT SEAL CUT

Heat sealing and cutting, sealing can be customized according to needs.



CONTACT NOW



# COMPANY PROFILE



## FOSHAN DESSION PACKAGING MACHINERY CO., LTD.

Foshan Dession Packaging Machinery Co., Ltd. is located in China Machinery Center, Nanhai District, Foshan city. Dession is a collection of research and development, manufacturing, sales and after-sales service in one of the high-tech enterprises. It has the self-import and export rights. DE newsletter focusing on production and research and development, all kinds of bag packaging machine, filling machine, and the research and development and manufacture of automatic packaging line with superior performance advanced technology, easy operation, easy maintenance, safe, durable widely used in puffed food, snack food, frozen food, agricultural and sideline products, medicine, chemical products and other fields to meet the needs of customers.



**9000**

Square Meters  
of Factory Buildings

**15 Years**

Focus on  
packaging machinery

**More  
than 80**

Technicians  
and employees

**More  
than 100**

Packing  
machine models



## < WORKSHOP DIAGRAM DISPLAY >



**FILLING MACHINE  
WORKSHOP**

**LARGE VERTICAL  
WORKSHOP**

**PILLOW MACHINE  
WORKSHOP**



**SMALL VERTICAL  
WORKSHOP**

**CARTONING MACHINE  
WORKSHOP**

**MULTI-TRAIN  
WORKSHOP**

**CONTACT NOW**



## < CERTIFICATE DISPLAY >

it owns more than 20 authorized intellectual property rights and has passed ISO9001 certification every year.



### Certificate of Honor



### Patent certificate

# < CUSTOMER TESTIMONIALS >

True praise and good quality are all based on customer needs

**Service praise**

Great job done by Foshan Dession ... I want to thank you all for this nice experience ... the next to come is the best 🥰

**Quality praise**

Hi Christy

At the moment dont need help

we test it one time

it works

now waiting the bobbins

**Quality praise**

Ok. Thank you, we will inform you!!!

Thaaaaank you very much dear Alisa you are Super, perfect with your engineer 🙌🙌🙌🙌🙌🙌. Everything is ok.

77 roses for you from heart

**Quality praise**

Ok thanks. Am busy installing the last machine

2021

i did the installation today, perfect machine

**Service praise**

My pleasure , it's happy to get your good feedback on the machine

It's good And your service is excellent Your Boss must give increase

**Quality praise**

成 Neel 美国单工位预制袋混合沙

Hello Joe - the machine continues to run better every day. We're hoping that all the parts do not start to break with use.

If anything breaks (like the heating bar), can you send up replacement parts?



# EXHIBITIONS & CUSTOMER VISITS



## International exhibition



## Customer visit

CONTACT NOW



## < OUR SERVICE >



### Worry Free After Sale

Professional after-sales team with 10 years of experience

24-hour online after-sales

Professional technical team, on-site installation service

on-site debugging training



With a professional after-sales service team, we can provide you with satisfactory and technical service no matter which country you are in; Any videos of packing machine installation, adjusting, setting, and maintenance are available for any buyer; If you have any problem when using the machine and the videos can not help, our technician will video chat with you to fix your problem; (Notice: In order to save your cost, we offer various video chatting services for you, but if you insist on the service overseas, the travel expense and technician cost will paid by you.)

## < OUR SHIPPING >



Upon receipt of payment , delivery date will be in 15-30 working days, By Air, by Sea or by Express (DHL etc)

## FAQ

---

Q1. Are you a manufacturer?

A1: Yes, we are an experienced manufacturer with our own brand and production lines, welcome to visit our factory at your convenient time.



Q2. How about the quality of products?

A2: Our technicians and QC teams test the products one by one using aging lines, professional devices, and instruments to ensure the quality of all products.

Q3. How about the price?

A3: We are a manufacturer and always offer our customers the most competitive prices.

Q4. How to place an order?

A4: Contact with online service, or send an email to us directly, we will reply to you with the product price, specifications, packing, etc. soon.  
Thank you.

Q5. May I send samples to you for testing?

A5: Yes! You are welcome to send us your products to test by our machine.

Q6. How long is your delivery time?

A6: Generally it is 5-10 days if the goods are in stock. or it is 15-30 days if the goods are not in stock.