

Automatic Continuous High-Speed Box Cartoning Machine For Toothpaste cartoning machine

德迅 *Dession*®



[Detailed Images](#)









1

place for empty boxes



Customizable, according to box size and dimensions

2

Vacuum suction box



Vacuum picks up the box with a quick turn and puts it in the transport belt





3

product push



Automatic induction, boosting the product into the box

4

folding device

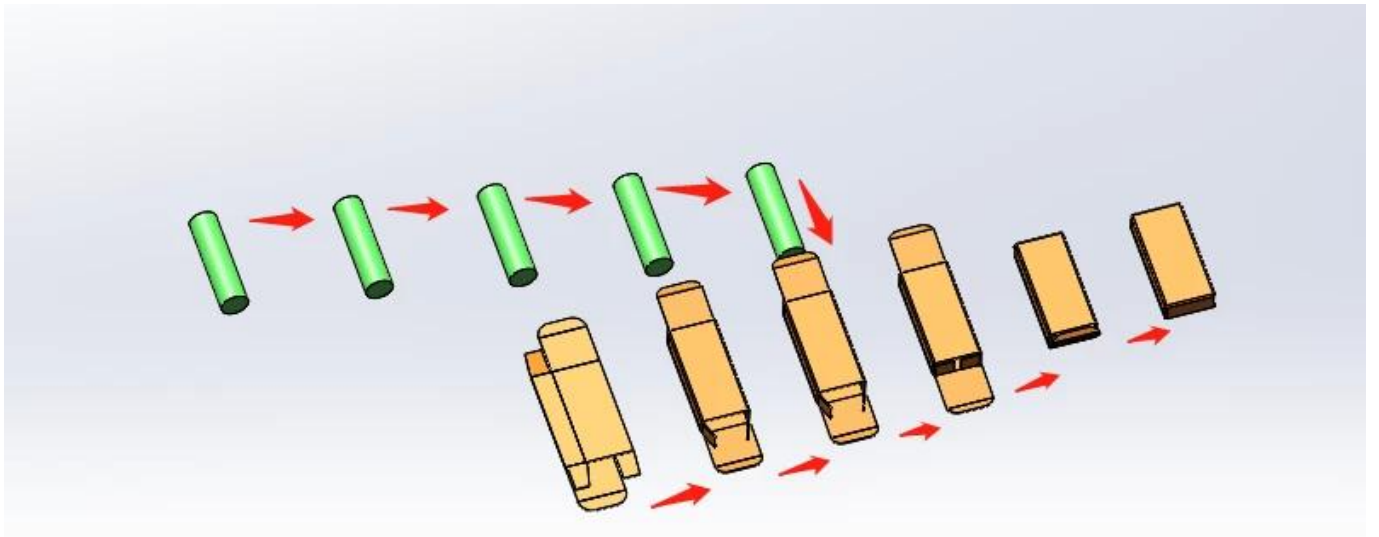


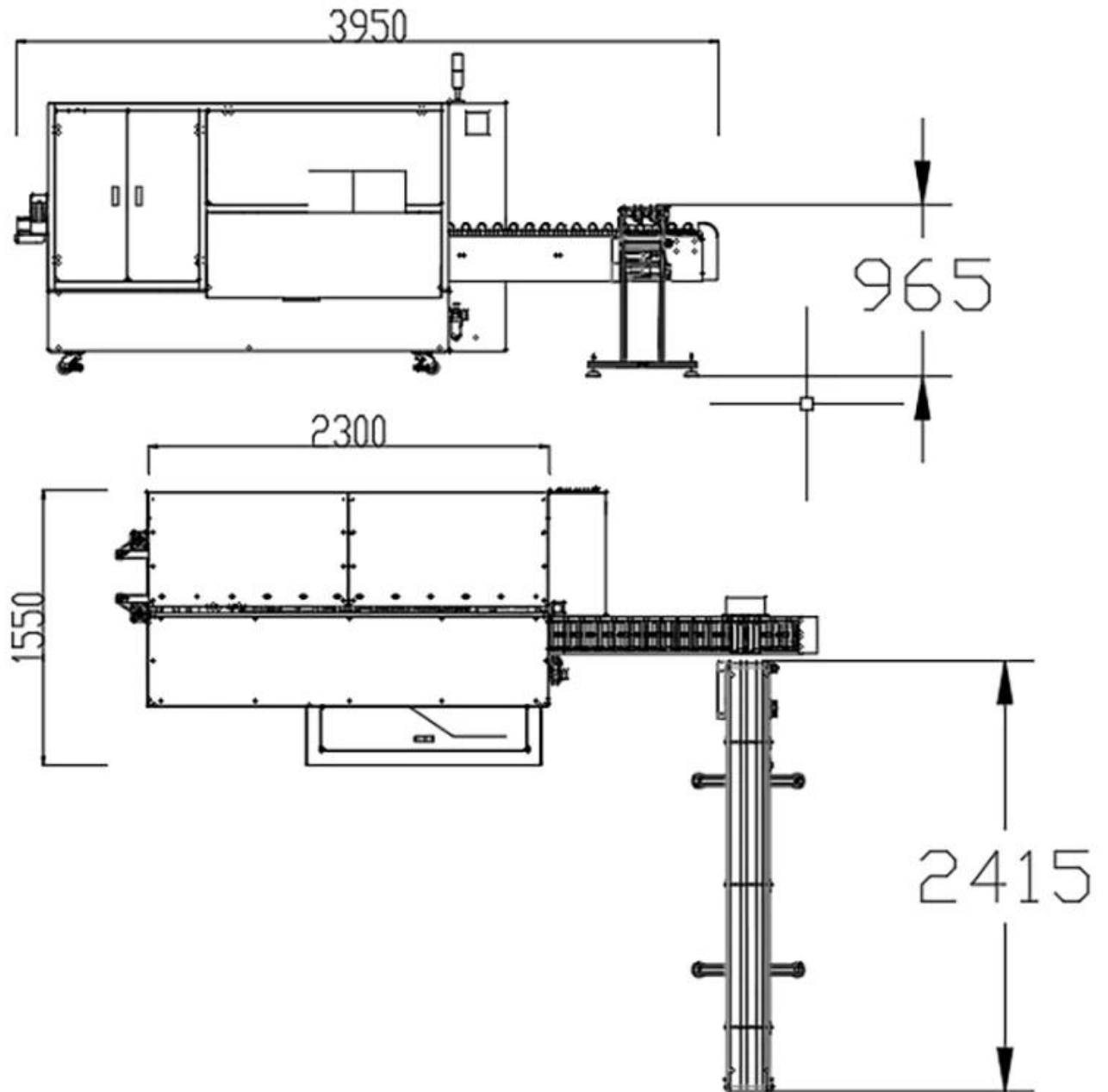
Under high-speed operation, it can be folded automatically and quickly, and the production can be completed



Contact us

[Application](#)





Product Advantages

High-Speed Packaging: The DS-GS150 operates at a remarkable production speed of 100-150 boxes per minute, ensuring rapid and efficient packaging, meeting the demands of high-output industries.

Innovative Integration: This machine seamlessly integrates light, gas, and electricity, resulting in a powerful packaging solution that optimizes efficiency, stability, and quality.

Versatile Application: Designed for daily chemical and pharmaceutical products, the DS-GS150 caters to a wide range of packaging needs, providing flexibility and adaptability to various industries.

Streamlined Process: The continuous box opening and pushing methods ensure smooth and stable packaging, minimizing downtime and maximizing output.

Manpower Savings: With its high-speed automation, the DS-GS150 significantly reduces the need for manual labor, contributing to cost savings and operational efficiency.

Product specification

| | |
|---------------------------|--|
| Model: | DS-GS150 |
| carton size range: | L 110-200 * W 30-70 * H 18-45mm (can be customized according to product) |
| Paper Requirements Scope: | 300 g/m ² ≤ Best for paper:350 g/m ² ≤ 450 g/m ² |
| Paper requirements: | The indentation of the paper box is not less than 0.4mm, with a pre folding effect |
| Production capacity: | 100-150box/min |
| Total power: | 3 KW |
| Equipment dimensions: | About L3950 * W1550 * H1730mm |
| Machine weight: | About 2T |



About us



Foshan Dession packaging Machinery Co., Ltd. is located in China Machinery Center---Foshan Nanhai city, only takes 30 minutes to Guangzhou and 2 hours to Shenzhen/Hongkong. Dession is a comprehensive modern company integrating research , manufacturing and sale. It is a leading manufacturer of Rotary Packaging machine, Vertical Powder/Granule/Liquid Packaging machine, Automatic Feeding Line, flowing packing machine and supporting facilities, which has successfully

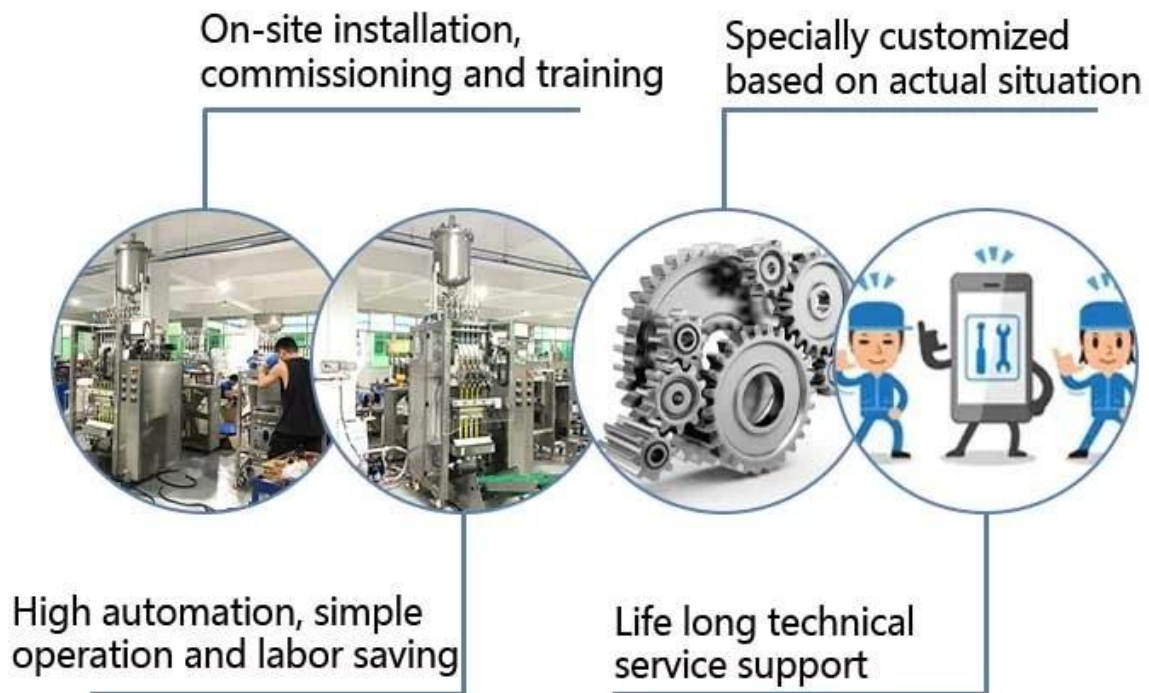
developed more than 80 kinds of packaging machines and related equipment and most of them has passed the CE Certification with European Standard.

Our Customers •



Contact us

Our Advantage •



Dession has a professional team to provide customers with various packaging solutions. Fully understanding the needs of customers, engineers design the most suitable solution. We have our own processing and assembly workshop and quality inspection and debugging process to ensure the quality of the machine. After acceptance by the customer, they are packed in international standard woodencases and shipped. If customers have any questions during the use of the machine, we will answer them in time.

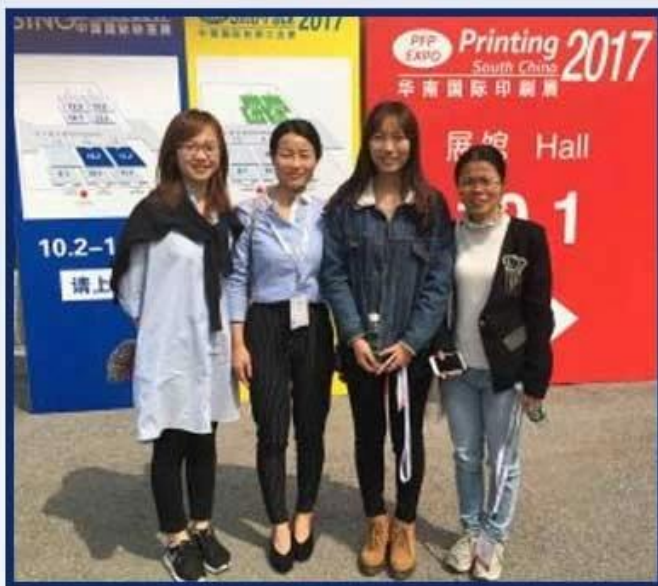
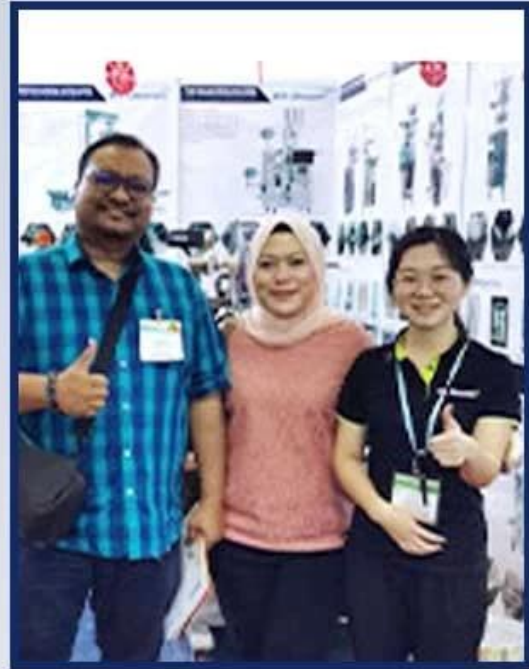
AFTER-SALES SERVICE



1. With professional after-sales service team, we can provide you with a satisfied and technical service no matter which country you are in;
2. Any videos of packing machine installation, adjusting, setting, maintenance are available for any buyer;
3. If you got any problem when using the machine and the videos can not help, our technician will have video chatting with you to fix your problem;

(Notice: In order to save your cost, we offer various video chatting service for you, but if you insist on the service oversea, the travel expense and technician cost will paid by you.)

EXHIBITION RECORD



Contact us

PACKAGING SHIPPING ● —————



Upon receipt of payment , delivery date will be in 15-30 working days, By Air, by Sea or by Express (DHL etc)



United States

Mexico

Panama

Ecuador

Bolivia

Chile

Argentina

Latvia

Belarus

Ukraine

Greece

Israel

Egypt

Ghana

Nigeria

Uganda

Congo

Tanzania

Saudi Arabia

UAE

Russia

Uzbekistan

Tajikistan

Pakistan

India

Myanmar

Kazakhstan

Kyrgyzstan

Mongolia

North Korea

South Korea

Thailand

Vietnam

Indonesia

Philippines

Sri Lanka

Australia

New Zealand