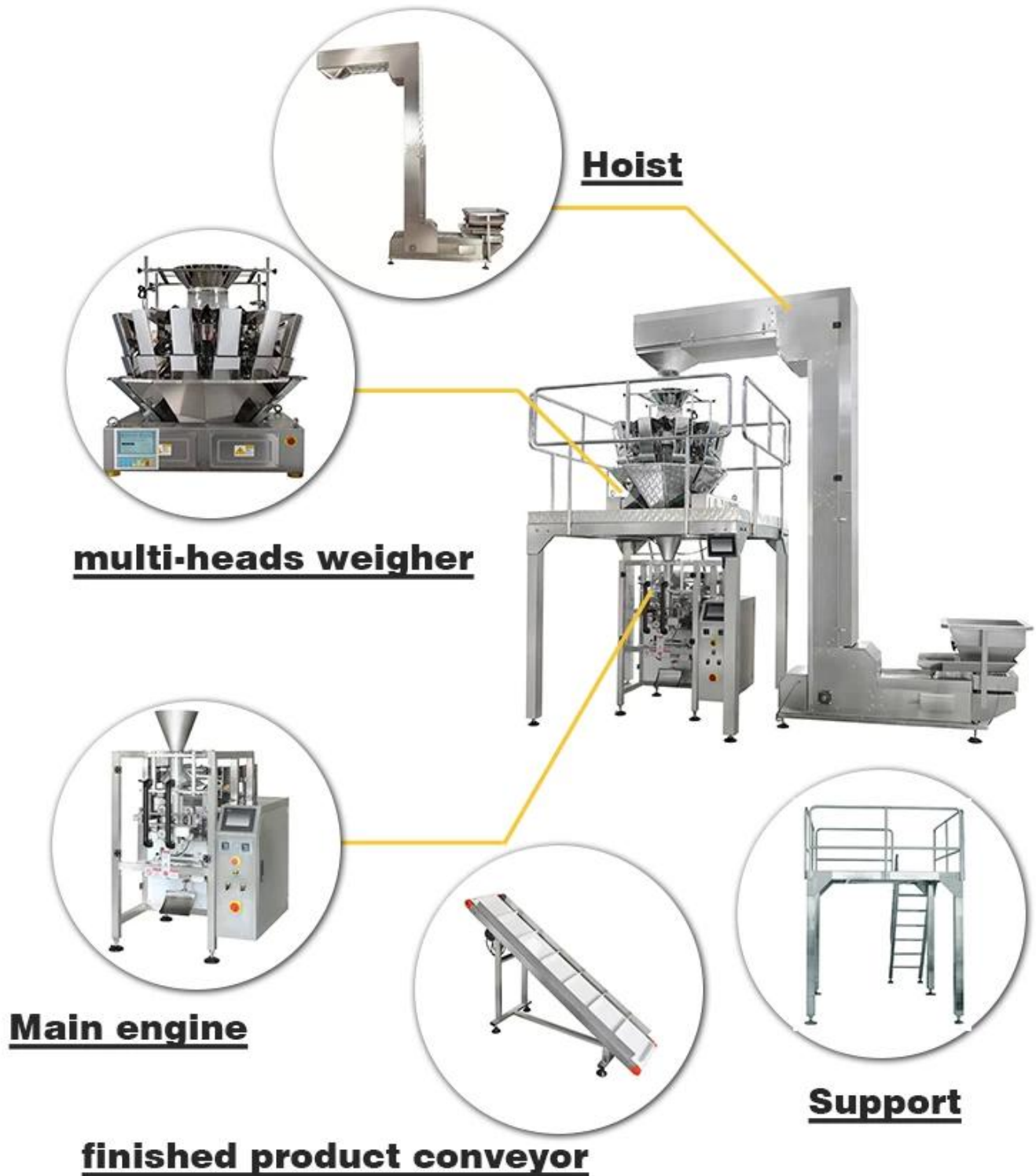


multi head weigher pouch packing machine

The configuration of the machine:



Main features of performance and structure:

1. imported PLC control system, colorful touch screen, easy operation, intuitionist and efficient.

2. high precision, high efficiency.
3. automatically complete the whole production, feeding, measuring, filling, etc.
4. suitable for various kinds of snacks



10 head Combination Scale

Nuts packing machine

Material Elevator



Features:

1. bucket tectonic stability of the 10, high precision sensor for measuring the right time.
2. use of the servo motor, quiet operation, stability of the action and long life
3. According to the measurement of the characteristics of the "fine tuning"-hopper doors open chat and close the speed to prevent the fragmentation and map
4. the calculation error: ± 1.5 g



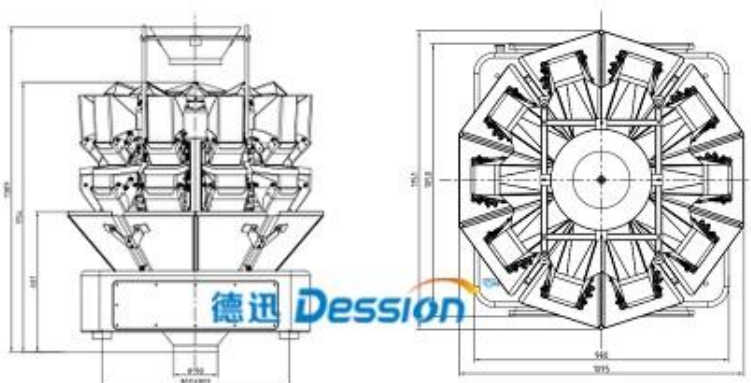
DS-A10

Application:

It is suitable for quantitative weighing of grain, sheet, strip, round and irregular materials such as melon seeds, peanuts, jelly, chips, meatballs and other granular leisure, puffed food, hardware and so on.

Special Features:

- * Lack of material can be automatically suspended, so that weighing more stable.
- * High-speed asynchronous discharge function Motor drive signal from the MCU module automatically, to achieve motor time-sharing action to effectively prevent material blockage, and no significant impact on speed.



Specifications:

Model	DS-A10	Operation Interface	7.0 touch screen/9.7 touch screen
Weighing Ranging	50-1000g	Power	220V/1000W/50-60HZ/10A
Accuracy	X(0.5)	Package Weight	430 (kg)
Weighing Speed	65ppm bags/min	Package Size	1620 (L) x1200 (W) x1100 (H) (mm)
Hopper Volume	3000ml	Optional Equipment	Pattern scale/hopper/printer
Drive Mode	Stepper Motor		rotating vibration machine

Application:

For sunflower seeds, peanut's, nuts, almonds snack grapes and other small particles food, jelly, candies, nuts, cakes, potato chips, shrimp, dumplings, balls, such as particle extrusion, particles and metal pieces such as various grain, sheet, strip, round and irregular materials roads, etc.



Packaging and shipping

Package:

The packaging process of the:

Step 1, cleaning

Step 2, lubrication

Step 3, Wrap Modules with Plastic Wrap

Step 4, packaging Modules in plywood cases (fumigation free), mark.



Shipping:

Upon receipt of payment, delivery date will be in 10-35days,

By train, by sea or by Express (DHL, Fedex etc)

Shipping costs will depend on the destination, shipping way and the weight of the goods.



FedEx®
Express

EMS®



中外运敦豪



Why choose us

Dession Core benefits:

1. deliver 100% factory---88 employees, 10000 m2 non-dust-workshop;
2. strategic location--industry China machine center--Foshan Nanhai City, 2.5 hours, 40 minutes to HK to Guangzhou, Guangzhou near Shenzhen //Foshan seaport;
3. supply various types of packing machine and supporting facilities. Help

customers with marketing, offering OEM services specialized and adapted machine designs.

ADVANTAGES



FACTORY SHOW

Cooperating with different manufacturers and research centers, we provide high-quality packaging machinery for food, medical, daily necessities, hardware, industrial products, chemicals, sports goods and other materials packaging. We have a group of experienced experts and outstanding engineers who do provide the professional service delivery and installation. Based on the clients specific requirement, we also design and produce the machines to order. We have through the years established good working relationship with some reputable organizations both at home and abroad with outstanding goodwill.



EQUIPMENT



Our customers

During the last 10 years, Dession packaging machine has covered more than 30 countries such as Russia, France, Iraq, British, America, Canada, Australia, Singapore, Malaysia, South Africa, Algeria, India, Thailand, and so on and reviewed by them.



Full set after sales service

After-sales service:

1. instructions for installation and debugging

For delivery takes we are responsible for debugging machine, to ensure that the delivered machine could be operated safely and smoothly.

We also take responsibility that overseas, and Debugging Client abroad can you send invitation ahead of time to engineer, the engineer with \$100 per day salary, round-trip tickets, accommodation and vehicle.

2. the user training

Before the delivery, we will take responsibility to indoctrinate technical training to the users, so that they could understand the functions of the machine and may the functioning of the machine itself.

3. the warranty period

The warranty period for machine is a year with a life long maintenance. If the user requires special quality guaranteed, can other be done after warranty period laid down by mutual agreement. Mechanical models are standard, issue special design according to customer requirements.

Buy packing machine from Dession, do not worry!

