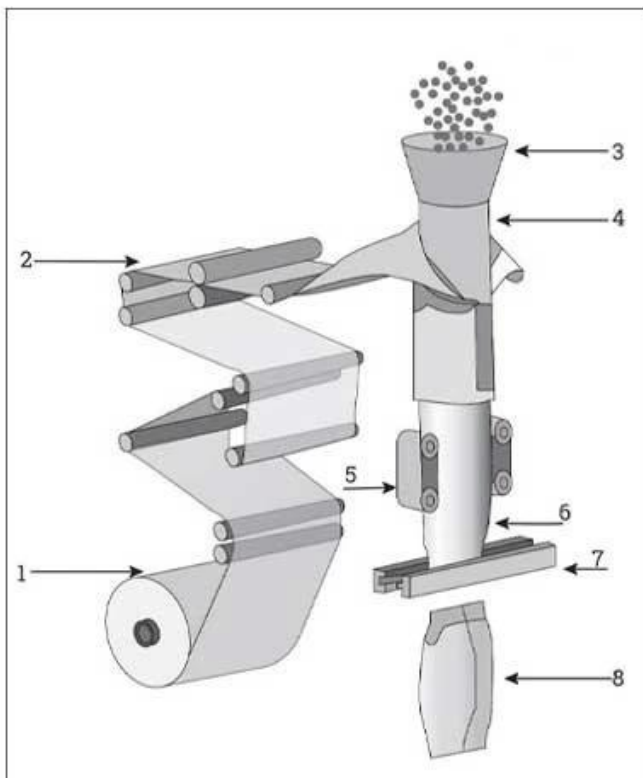


High-quality big bag 5kg 10kg 15 kg Automatic Wood Pellet Packing Machine China manufacturer

< INTRODUCE >

The "High-quality big bag 5kg 10kg 15 kg Automatic Wood Pellet Packing Machine" is a cutting-edge packaging solution manufactured by Foshan DESSION Packaging Machinery Co., Ltd. This machine is designed for efficiently and precisely packaging wood pellets in large bags, with a focus on quality, speed, and versatility. It features advanced technology, ease of operation, and adherence to international quality standards.

< APPLICATION SCENARIOS >



**Back seal
round hole**



**Back seal
aircraft hole**



**Standard
back seal**



Vertical back seal



Gusseted bags



Quad seal bag

< MACHINE ADVANTAGES >

1. CE certification.
2. English and Chinese screen display, operation is simple(Languages can be customized according to user needs).
3. PLC computer system, the function is more stable, and adjustment of any parameters does not need to stop the machine.
4. It can stock ten dispose of, simple to change variety.
5. Sever motor drawing film, position accurately.
6. Horizontal, and vertical temperature control, suitable for various of mix film, and PE film packing materials.
7. Packing type diversification, pillow sealing, standing type, punching, etc.
8. Bag-making, sealing, packing, and print date in one operation.

< DETAIL >



TOUCH SCREEN

The touch screen can store parameters and adjust them at will, which is simple and convenient

A



LINEAR WEIGHING SCALE

Measure and combine materials by dividing them equally, which is smart and efficient.

B



ROLL FILM

Automatic film rolling, smooth film pulling without jamming, etc.

C



MIDDLE SEAL

Heat sealing by heating, the seal is beautiful, tight and efficient

D



BAG FORMER

Automatic bag making, lapel structure, smooth lapel, intelligent bag making

E



F

HEAT SEAL CUT

Heat sealing and cutting, sealing can be customized according to needs.



< COMPANY PROFILE >



FOSHAN DESSION PACKAGING MACHINERY CO., LTD.

Foshan Dession Packaging Machinery Co., Ltd. is located in China Machinery Center, Nanhai District, Foshan city. Dession is a collection of research and development, manufacturing, sales and after-sales service in one of the high-tech enterprises. It has the self-import and export rights. DE newsletter focusing on production and research and development, all kinds of bag packaging machine, filling machine, and the research and development and manufacture of automatic packaging line with superior performance advanced technology, easy operation, easy maintenance, safe, durable widely used in puffed food, snack food, frozen food, agricultural and sideline products, medicine, chemical products and other fields to meet the needs of customers.



9000

Square Meters
of Factory Buildings

15 Years

Focus on
packaging machinery

**More
than 80**

Technicians
and employees

**More
than 100**

Packing
machine models

< WORKSHOP DIAGRAM DISPLAY >



**FILLING MACHINE
WORKSHOP**

**LARGE VERTICAL
WORKSHOP**

**PILLOW MACHINE
WORKSHOP**



**SMALL VERTICAL
WORKSHOP**

**CARTONING MACHINE
WORKSHOP**

**MULTI-TRAIN
WORKSHOP**

< CERTIFICATE DISPLAY >

it owns more than 20 authorized intellectual property rights and has passed ISO9001 certification every year.



Certificate of Honor



Patent certificate

< CUSTOMER TESTIMONIALS >

True praise and good quality are all based on customer needs

Service praise

Great job done by Foshan Dession ... I want to thank you all for this nice experience ... the next to come is the best 🥰

Quality praise

Hi Christy

At the moment dont need help

we test it one time

it works

now waiting the bobbins

Quality praise

Ok. Thank you, we will inform you!!!

Thaaaaank you very much dear Alisa you are Super, perfect with your engineer 🙌🙌🙌🙌🙌. Everything is ok.

77 roses for you from heart

Ok thanks. Am busy installing the last machine

2021

i did the installation today, perfect machine

Quality praise

12:23

Hesham 南非水烟机

So next ye 今天 visit

Okay good luck

All the best

Thank you

First you use the machine and any thing you need you can ask me

Thanks

Service praise

My pleasure , it's happy to get your good feedback on the machine

1 条未读信息

It's good And your service is excellent Your Boss must give increase

Quality praise

成 Neal 美国单工位预制袋混合沙

Hello Joe - the machine continues to run better every day. We're hoping that all the parts do not start to break with use.

If anything breaks (like the heating bar), can you send up replacement parts?

晚上11:42

EXHIBITIONS & CUSTOMER VISITS



International exhibition



Customer visit

< OUR SERVICE >



Worry Free After Sale

Professional after-sales team with 10 years of experience

24-hour online after-sales

Professional technical team, on-site installation service

on-site debugging training



With a professional after-sales service team, we can provide you with satisfactory and technical service no matter which country you are in; Any videos of packing machine installation, adjusting, setting, and maintenance are available for any buyer; If you have any problem when using the machine and the videos can not help, our technician will video chat with you to fix your problem; (Notice: In order to save your cost, we offer various video chatting services for you, but if you insist on the service overseas, the travel expense and technician cost will paid by you.)

< OUR SHIPPING >



Upon receipt of payment , delivery date will be in 15-30 working days, By Air, by Sea or by Express (DHL etc)

FAQ

Q1. Are you a manufacturer?

A1: Yes, we are an experienced manufacturer with our own brand and production lines, welcome to visit our factory at your convenient time.

Q2. How about the quality of products?

A2: Our technicians and QC teams test the products one by one using aging lines, professional devices, and instruments to ensure the quality of all products.

Q3. How about the price?

A3: We are a manufacturer and always offer our customers the most competitive prices.

Q4. How to place an order?

A4: Contact with online service, or send an email to us directly, we will reply to you with the product price, specifications, packing, etc. soon.
Thank you.

Q5. May I send samples to you for testing?

A5: Yes! You are welcome to send us your products to test by our machine.

Q6. How long is your delivery time?

A6: Generally it is 5-10 days if the goods are in stock. or it is 15-30 days if the goods are not in stock.