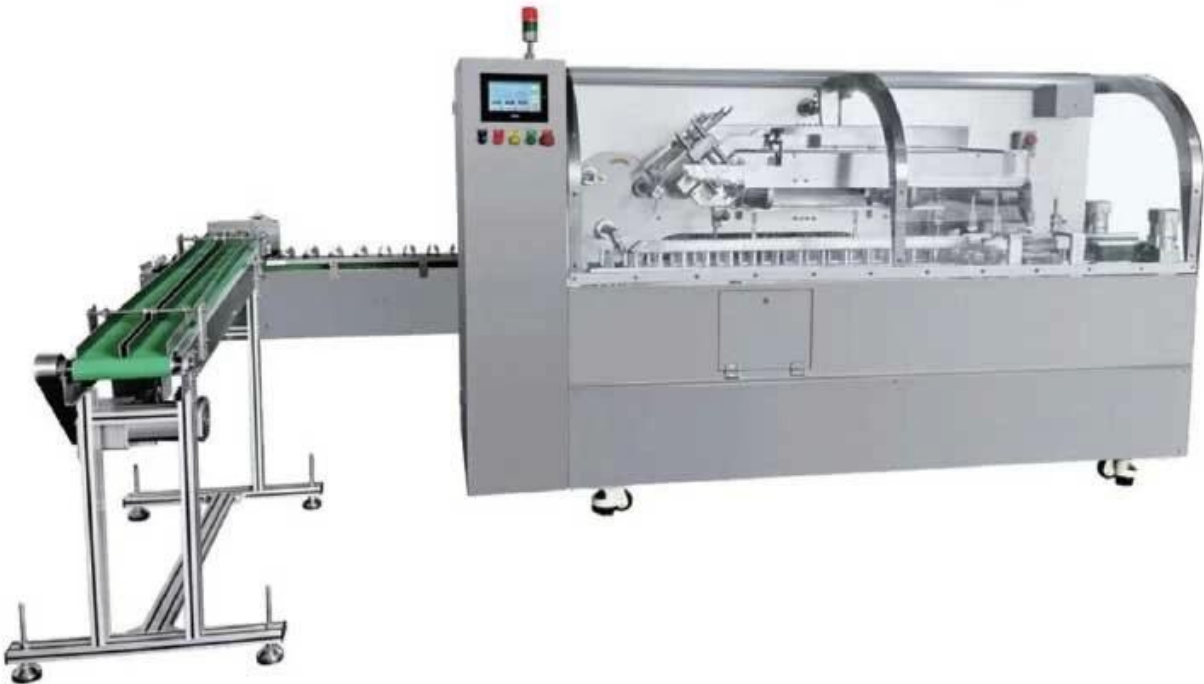


Wholesale fully automatic open box case-making cartooning machine For Toothpaste cartooning machine



Detailed Images









place for empty boxes



Customizable, according to box size and dimensions



Vacuum suction box



Vacuum picks up the box with a quick turn and puts it in the transport belt



product push



Automatic induction, boosting the product into the box



folding device



Under high-speed operation, it can be folded automatically and quickly, and the production can be completed

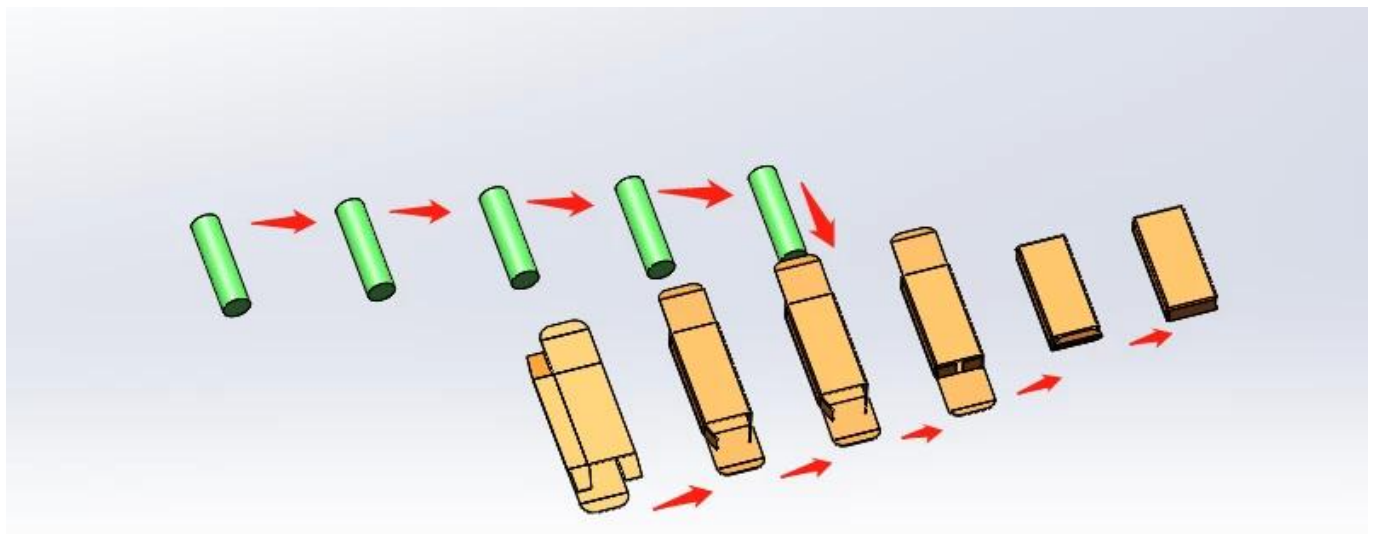
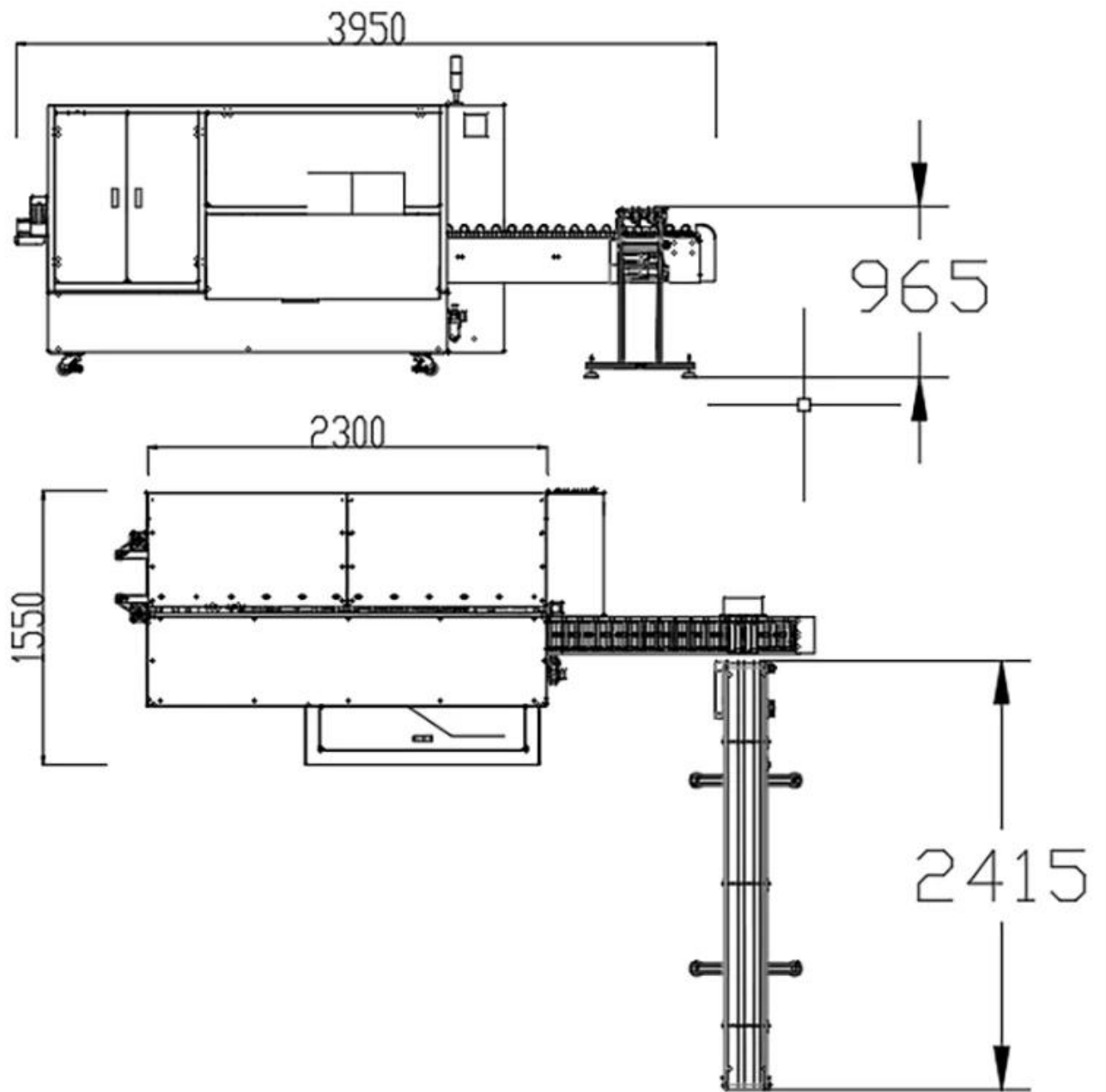
Contact us

Application



Customized products that
match your own

One machine meets the needs of various products, and products of different shapes can be customized



Product Advantages

Swift Packaging: Operating at an outstanding speed of 100-150 boxes per minute, the DS-GS150 ensures rapid and efficient packaging, making it a vital asset for industries with high production needs.

Innovative Integration: By seamlessly incorporating light, gas, and electricity, this machine creates a potent packaging solution that optimizes efficiency, stability, and product quality.

Versatile Application: Tailored for daily chemical and pharmaceutical products, the DS-GS150 caters to diverse packaging requirements, offering versatility and adaptability across industries.

Effortless Process: Leveraging continuous box opening and pushing mechanisms, the machine guarantees seamless and consistent packaging, resulting in minimized downtime and maximized output.

Labor Efficiency: With its high-speed automated capabilities, the DS-GS150 significantly curtails the need for manual labor, leading to substantial cost savings and heightened operational efficiency.

Product specification

Model:	DS-GS150
carton size range:	L 110-200 * W 30-70 * H 18-45mm (can be customized according to product)
Paper Requirements Scope:	300 g/m ² ≤ Best for paper:350 g/m ² ≤ 450 g/m ²
Paper requirements:	The indentation of the paper box is not less than 0.4mm, with a pre folding effect
Production capacity:	100-150box/min
Total power:	3 KW
Equipment dimensions:	About L3950 * W1550 * H1730mm
Machine weight:	About 2T

Company profile

Foshan Dession packaging machinery Co., Ltd. is located in Nanhai District, Foshan city, China machinery center, is a collection of research and development, manufacturing, sales and after-sales service in one of the high-tech enterprises, with self-import and export rights. DE newsletter focusing on production and research and development, all kinds of bag packaging machine, filling machine, and the research and development and manufacture of automatic packaging line, with superior performance, advanced technology, easy operation, easy maintenance, safe, durable, widely used in puffed food, snack food, frozen food, agricultural and sideline products, medicine, chemical products, metal products and other fields, to meet the needs of customers.



EXHIBITIONS



Our Customers





Contact us

Our Advantage

On-site installation,
commissioning and training



High automation, simple
operation and labor saving

Specially customized
based on actual situation



Life long technical
service support

Dession has a professional team to provide customers with various packaging solutions. Fully understanding the needs of customers, engineers design the most suitable solution. We have our own processing and assembly workshop and quality inspection and debugging process to ensure the quality of the machine. After acceptance by the customer, they are packed in international standard woodencases and shipped. If customers have any questions during the use of the machine, we will answer them in time.

PACKAGING SHIPPING



Upon receipt of payment , delivery date will be in 15-30 working days, By Air, by Sea or by Express (DHL etc)

AFTER-SALES SERVICE



1. With professional after-sales service team, we can provide you with a satisfied and technical service no matter which country you are in;
2. Any videos of packing machine installation, adjusting, setting, maintenance are available for any buyer;
3. If you got any problem when using the machine and the videos can not help, our technician will have video chatting with you to fix your problem;

(Notice: In order to save your cost, we offer various video chatting service for you, but if you insist on the service oversea, the travel expense and technician cost will paid by you.)