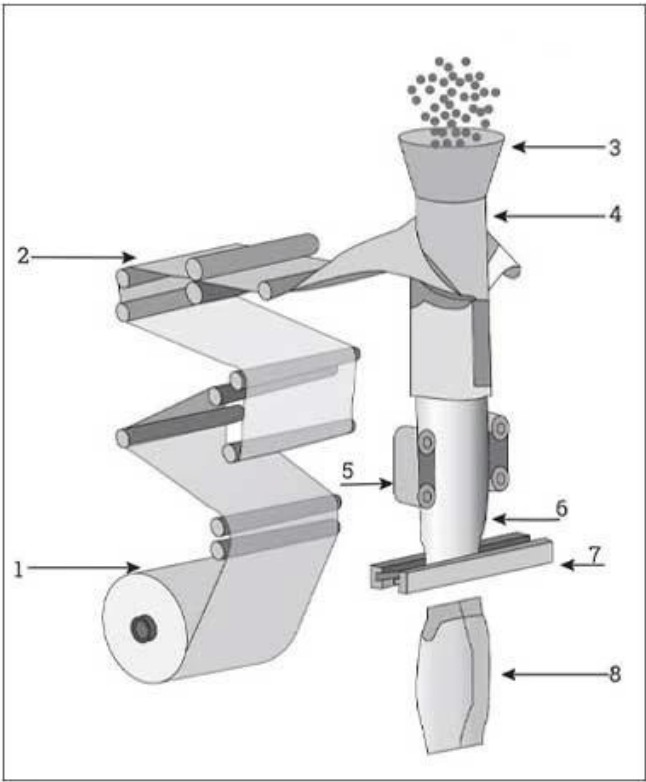




< INTRODUCE >

德迅 DS-420AZ 包装机
 Foshan DESSION Packaging Machinery Co., Ltd.
 德迅 DS-420AZ 包装机是一种用于包装颗粒状物料的设备。它采用先进的机械结构，能够实现高速、高精度的包装。该设备适用于各种规格的颗粒物料，如饲料、化肥、化工原料等。其操作简便，维护方便，是现代化生产线的理想选择。

< APPLICATION SCENARIOS >



Back seal round hole



Back seal aircraft hole



Standard back seal



Vertical back seal



Gusseted bags



Quad seal bag

< MACHINE ADVANTAGES >

1. 本機採用最先進之 PLC 控制系統，具備多種安全功能，可確保作業安全。此外，本機還具有多種自動化功能，可提高工作效率。
2. 本機採用最先進之 PLC 控制系統，具備多種安全功能，可確保作業安全。此外，本機還具有多種自動化功能，可提高工作效率。
3. 本機採用最先進之 PLC 控制系統，具備多種安全功能，可確保作業安全。此外，本機還具有多種自動化功能，可提高工作效率。
4. 本機採用最先進之 PLC 控制系統，具備多種安全功能，可確保作業安全。此外，本機還具有多種自動化功能，可提高工作效率。
5. 本機採用最先進之 PLC 控制系統，具備多種安全功能，可確保作業安全。此外，本機還具有多種自動化功能，可提高工作效率。
6. 本機採用最先進之 PLC 控制系統，具備多種安全功能，可確保作業安全。此外，本機還具有多種自動化功能，可提高工作效率。
7. 本機採用最先進之 PLC 控制系統，具備多種安全功能，可確保作業安全。此外，本機還具有多種自動化功能，可提高工作效率。

[CONTACT NOW](#)



[DETAIL](#)



TOUCH SCREEN

The touch screen can store parameters and adjust them at will, which is simple and convenient

A



Z TYPE HOIST

Automatic product loading, with built-in protective cover, making it more convenient

B



ROLL FILM

Automatic film rolling, smooth film pulling without jamming, etc.

C



MEASURING CUP

The weight can be set, freely adjusted, accurate measurement, high precision

D



BAG FORMER

Automatic bag making, lapel structure, smooth lapel, intelligent bag making

E



F

HEAT SEAL CUT

Heat sealing and cutting, sealing can be customized according to needs.



CONTACT NOW



COMPANY PROFILE



FOSHAN DESSION PACKAGING MACHINERY CO., LTD.

Foshan Dession Packaging Machinery Co., Ltd. is located in China Machinery Center, Nanhai District, Foshan city. Dession is a collection of research and development, manufacturing, sales and after-sales service in one of the high-tech enterprises. It has the self-import and export rights. DE newsletter focusing on production and research and development, all kinds of bag packaging machine, filling machine, and the research and development and manufacture of automatic packaging line with superior performance advanced technology, easy operation, easy maintenance, safe, durable widely used in puffed food, snack food, frozen food, agricultural and sideline products, medicine, chemical products and other fields to meet the needs of customers.



9000

Square Meters
of Factory Buildings

15 Years

Focus on
packaging machinery

**More
than 80**

Technicians
and employees

**More
than 100**

Packing
machine models

< WORKSHOP DIAGRAM DISPLAY >



**FILLING MACHINE
WORKSHOP**

**LARGE VERTICAL
WORKSHOP**

**PILLOW MACHINE
WORKSHOP**



**SMALL VERTICAL
WORKSHOP**

**CARTONING MACHINE
WORKSHOP**

**MULTI-TRAIN
WORKSHOP**

CONTACT NOW



< CERTIFICATE DISPLAY >

it owns more than 20 authorized intellectual property rights and has passed ISO9001 certification every year.



Certificate of Honor



Patent certificate

< CUSTOMER TESTIMONIALS >

True praise and good quality are all based on customer needs

Service praise

Great job done by Foshan Dession ... I want to thank you all for this nice experience ... the next to come is the best 😊

Quality praise

Hi Christy
At the moment dont need help
we test it one time
it works
now waiting the bobbins

Quality praise

Ok. Thank you, we will inform you!!!
Thaaaaank you very much dear Alisa you are Super, perfect with your engineer
77 roses for you from heart

Quality praise

Ok thanks. Am busy installing the last machine
i did the installation today, perfect machine

Service praise

Okay good luck
All the best
Thank you
First you use the machine and any thing you need you can ask me
Thanks
My pleasure , it's happy to get your good feedback on the machine
It's good And your service is excellent Your Boss must give increase

Quality praise

成 Neal 美国单工位预制袋混合沙
Hello Joe - the machine continues to run better every day. We're hoping that all the parts do not start to break with use.
If anything breaks (like the heating bar), can you send up replacement parts?

EXHIBITIONS & CUSTOMER VISITS



International exhibition



Customer visit

CONTACT NOW



