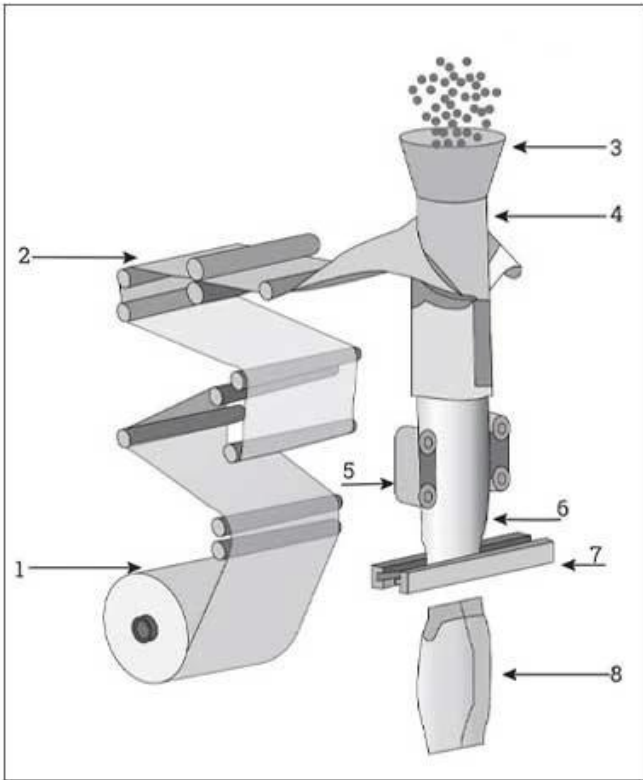


< INTRODUCE >

" CE Foshan DESSION Packaging Machinery Co., Ltd.

DESSION

< APPLICATION SCENARIOS >



Back seal round hole



Back seal aircraft hole



Standard back seal



Vertical back seal



Gusseted bags



Quad seal bag

## < MACHINE ADVANTAGES >

1. 德國進口 CE

2. 採用高品質材料，確保產品質量，並符合國際標準 (符合 ISO 9001 認證)

3. 採用先進 PLC 控制

系統，實現精確的物料填充和封裝，確保產品的一致性和穩定性。

4. 設備運行穩定，維護簡便，生產效率高。

5. 設備結構緊湊，節省空間。

6. 設備採用優質 PE 材料，確保產品密封性和耐用性。

7. 設備具有多種封裝規格，可滿足不同客戶的需求。

8. 設備操作簡便，易於培訓。

## < DETAIL >



## TOUCH SCREEN

The touch screen can store parameters and adjust them at will, which is simple and convenient

A



## LINEAR WEIGHING SCALE

Measure and combine materials by dividing them equally, which is smart and efficient.

B



## ROLL FILM

Automatic film rolling, smooth film pulling without jamming, etc.

C



## MIDDLE SEAL

Heat sealing by heating, the seal is beautiful, tight and efficient

D



## BAG FORMER

Automatic bag making, lapel structure, smooth lapel, intelligent bag making

E



F

## HEAT SEAL CUT

Heat sealing and cutting, sealing can be customized according to needs.



# COMPANY PROFILE



## FOSHAN DESSION PACKAGING MACHINERY CO., LTD.

Foshan Dession Packaging Machinery Co., Ltd. is located in China Machinery Center, Nanhai District, Foshan city. Dession is a collection of research and development, manufacturing, sales and after-sales service in one of the high-tech enterprises. It has the self-import and export rights. DE newsletter focusing on production and research and development, all kinds of bag packaging machine, filling machine, and the research and development and manufacture of automatic packaging line with superior performance advanced technology, easy operation, easy maintenance, safe, durable widely used in puffed food, snack food, frozen food, agricultural and sideline products, medicine, chemical products and other fields to meet the needs of customers.



**9000**

Square Meters  
of Factory Buildings

**15 Years**

Focus on  
packaging machinery

**More  
than 80**

Technicians  
and employees

**More  
than 100**

Packing  
machine models

## < WORKSHOP DIAGRAM DISPLAY >



**FILLING MACHINE  
WORKSHOP**

**LARGE VERTICAL  
WORKSHOP**

**PILLOW MACHINE  
WORKSHOP**



**SMALL VERTICAL  
WORKSHOP**

**CARTONING MACHINE  
WORKSHOP**

**MULTI-TRAIN  
WORKSHOP**



## < CERTIFICATE DISPLAY >

it owns more than 20 authorized intellectual property rights and has passed ISO9001 certification every year.



### Certificate of Honor



### Patent certificate

# < CUSTOMER TESTIMONIALS >

True praise and good quality are all based on customer needs

**Service praise**

Great job done by Foshan Dession ... I want to thank you all for this nice experience ... the next to come is the best 🥰

**Quality praise**

Hi Christy

At the moment dont need help

we test it one time

it works

now waiting the bobbins

**Quality praise**

Ok. Thank you, we will inform you!!!

Thaaaaank you very much dear Alisa you are Super, perfect with your engineer 🙌🙌🙌🙌🙌🙌. Everything is ok.

77 roses for you from heart

Ok thanks. Am busy installing the last machine

2021

i did the installation today, perfect machine

**Quality praise**

12:23

Hesham 南非水烟机

So next ye 今天 visit

Okay good luck

All the best

Thank you

First you use the machine and any thing you need you can ask me

Thanks

**Service praise**

My pleasure , it's happy to get your good feedback on the machine

1 条未读信息

It's good And your service is excellent Your Boss must give increase

**Quality praise**

成 Neal 美国单工位预制袋混合沙

Hello Joe - the machine continues to run better every day. We're hoping that all the parts do not start to break with use.

If anything breaks (like the heating bar), can you send up replacement parts?

晚上11:42

# EXHIBITIONS & CUSTOMER VISITS



## International exhibition



## Customer visit





