

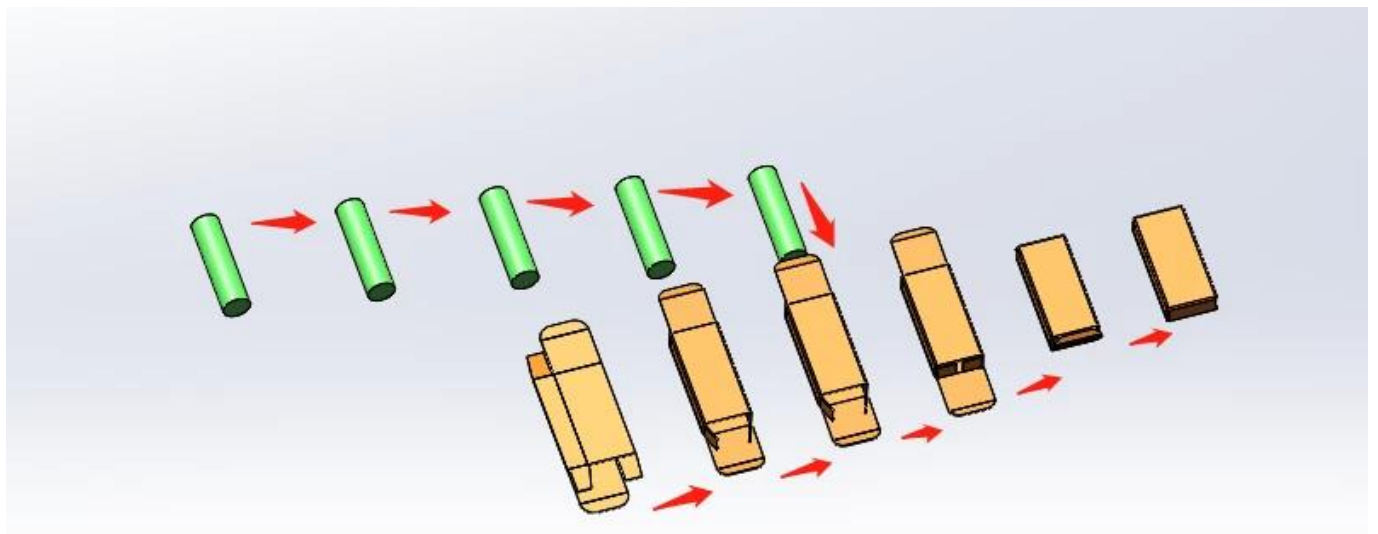
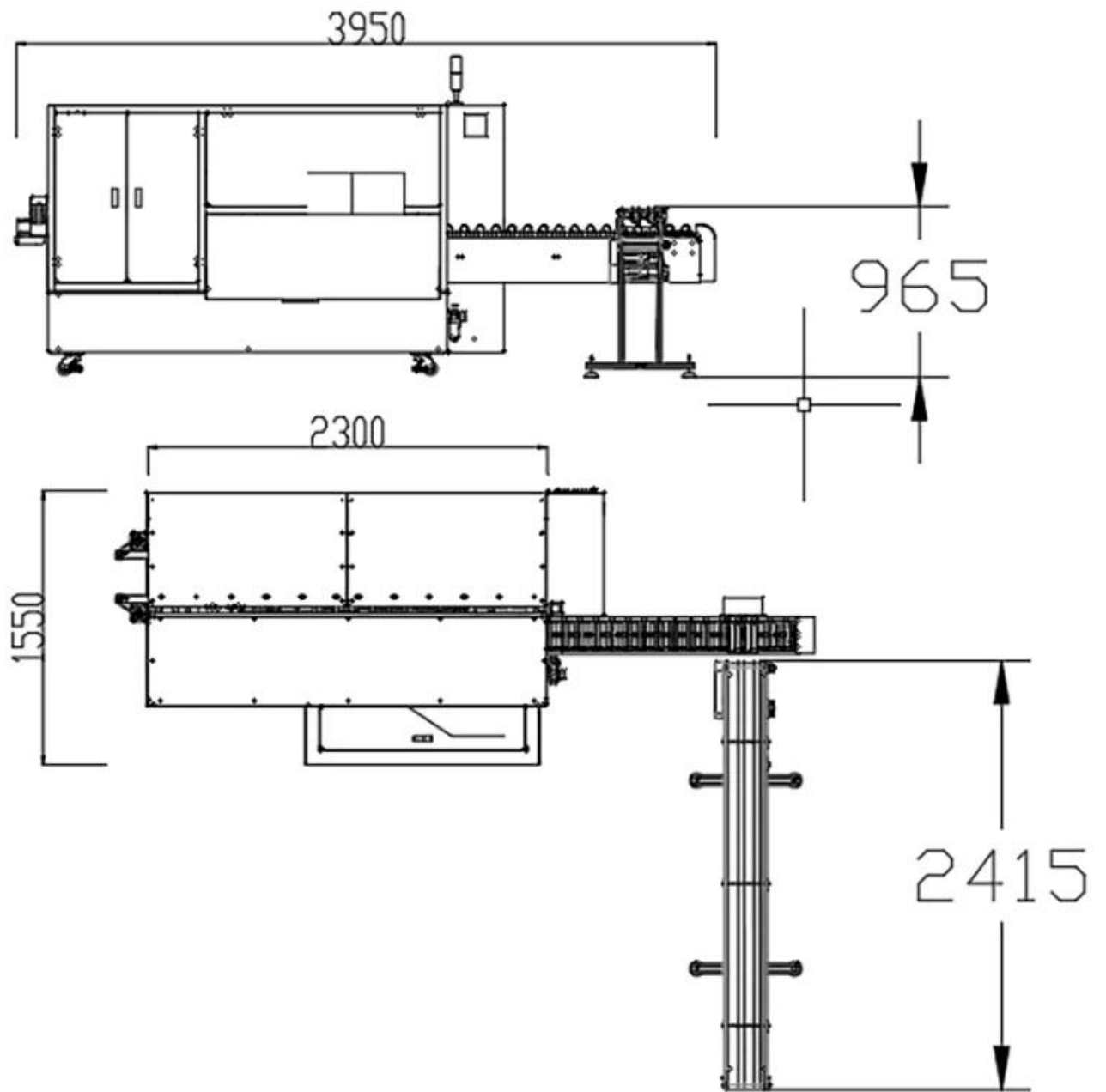
# Foshan CE















# Company profile

Foshan Dession packaging machinery Co., Ltd. is located in Nanhai District, Foshan city, China machinery center, is a collection of research and development, manufacturing, sales and after-sales service in one of the high-tech enterprises, with self-import and export rights. DE newsletter focusing on production and research and development, all kinds of bag packaging machine, filling machine, and the research and development and manufacture of automatic packaging line, with superior performance, advanced technology, easy operation, easy maintenance, safe, durable, widely used in puffed food, snack food, frozen food, agricultural and sideline products, medicine, chemical products, metal products and other fields, to meet the needs of customers.



## EXHIBITIONS



## Our Customers





# Contact us

## Our Advantage

On-site installation, commissioning and training

Specially customized based on actual situation



High automation, simple operation and labor saving

Life long technical service support



1. 包裝及運輸服務  
 2. 提供專業技術支持  
 3. 提供優質售後服務

## PACKAGING SHIPPING



1. 提供專業技術支持 15-30 分鐘內響應 24 小時熱線服務 (DHL 全球快遞)

# AFTER-SALES SERVICE



1. 提供專業技術支持 15-30 分鐘內響應 24 小時熱線服務 (DHL 全球快遞)
2. 提供優質售後服務 專業技術支持 24 小時熱線服務 (DHL 全球快遞)
3. 提供優質售後服務 專業技術支持 24 小時熱線服務 (DHL 全球快遞)

