

< INTRODUCE >

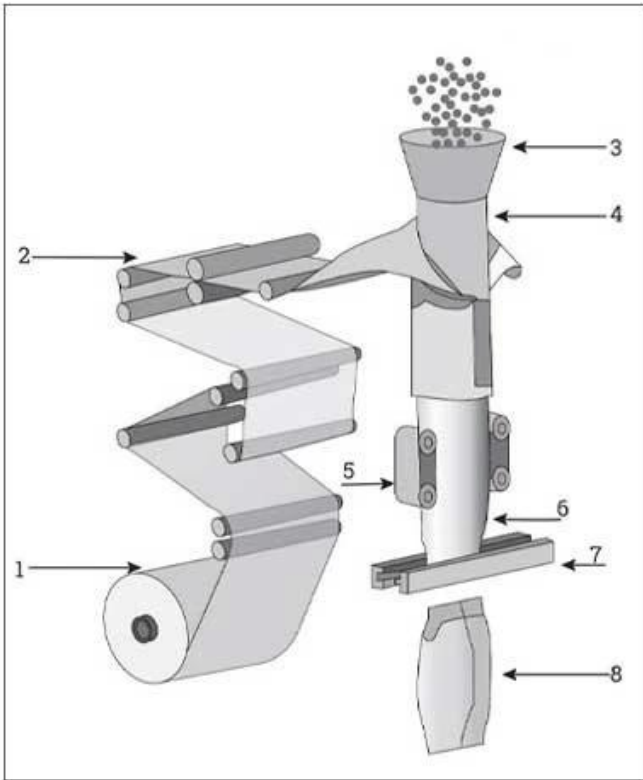
VFES is a high performance, multi-layered, flexible packaging material. It is used for packaging a wide range of products, including food, pharmaceuticals, and chemicals. VFES offers excellent barrier properties, mechanical strength, and printability. It is available in various thicknesses and colors, and can be customized to meet specific requirements. VFES is a cost-effective and sustainable packaging solution for a wide range of applications. VFES is made from a combination of OPP, PET, PA, PE, and CPP.

< APPLICATION SCENARIOS >



Sample





Back seal round hole

Back seal aircraft hole

Standard back seal



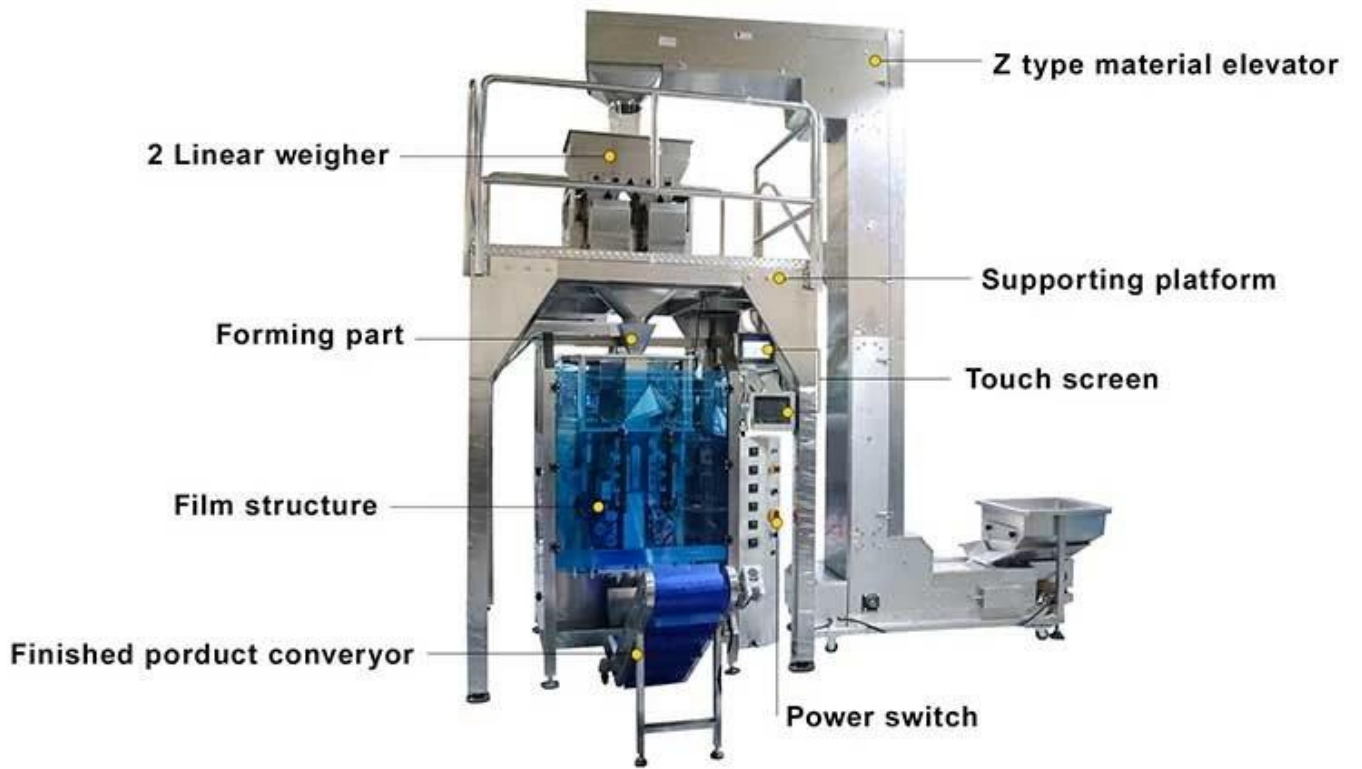
Vertical back seal

Gusseted bags

Quad seal bag

< MACHINE ADVANTAGES >

1. 1. 設備簡單，操作容易，維護方便，生產效率高，且能適應不同物料和包裝規格的要求。
2. 2. 採用 PLC 控制，實現自動運行，操作簡便，且能根據需要調整包裝規格。
3. 3. 設備結構緊湊，佔地小，安裝方便，且運行穩定，故障率低。
4. 4. 設備採用優質材料，耐用性強，且能適應惡劣的生產環境。
5. 5. 設備具有多種包裝規格，且能實現多種包裝形式，如背封、底封、四封等。



DETAIL





TOUCH SCREEN

The touch screen can store parameters and adjust them at will, which is simple and convenient

A



B

Z TYPE HOIST

Automatic product loading, with built-in protective cover, making it more convenient

ROLL FILM

Automatic film rolling, smooth film pulling without jamming, etc.

C



MEASURING CUP

The weight can be set, freely adjusted, accurate measurement, high precision

D



BAG FORMER

Automatic bag making, lapel structure, smooth lapel, intelligent bag making

E



F

HEAT SEAL CUT

Heat sealing and cutting, sealing can be customized according to needs.



[CONTACT NOW](#)



COMPANY PROFILE



FOSHAN DESSION PACKAGING MACHINERY CO., LTD.

Foshan Dession Packaging Machinery Co., Ltd. is located in China Machinery Center, Nanhai District, Foshan city. Dession is a collection of research and development, manufacturing, sales and after-sales service in one of the high-tech enterprises. It has the self-import and export rights. DE newsletter focusing on production and research and development, all kinds of bag packaging machine, filling machine, and the research and development and manufacture of automatic packaging line. with superior performance advanced technology, easy operation, easy maintenance, safe, durable widely used in puffed food, snack food, frozen food, agricultural and sideline products, medicine, chemical products and other fields to meet the needs of customers.



9000

Square Meters
of Factory Buildings

15 Years

Focus on
packaging machinery

**More
than 80**

Technicians
and employees

**More
than 100**

Packing
machine models

< WORKSHOP DIAGRAM DISPLAY >



**FILLING MACHINE
WORKSHOP**

**LARGE VERTICAL
WORKSHOP**

**PILLOW MACHINE
WORKSHOP**



**SMALL VERTICAL
WORKSHOP**

**CARTONING MACHINE
WORKSHOP**

**MULTI-TRAIN
WORKSHOP**

CONTACT NOW



< CERTIFICATE DISPLAY >

it owns more than 20 authorized intellectual property rights and has passed ISO9001 certification every year.



Certificate of Honor



Patent certificate

< CUSTOMER TESTIMONIALS >

True praise and good quality are all based on customer needs

Service praise

Great job done by Foshan Dession ... I want to thank you all for this nice experience ... the next to come is the best 🤗

Quality praise

Hi Christy

At the moment dont need help

we test it one time

it works

now waiting the bobbins

Ok thanks. Am busy installing the last machine

2021

i did the installation today. perfect machine

Quality praise

Ok. Thank you, we will inform you!!!

Thaaaaank you very much dear Alisa you are Super, perfect with your engineer 🙌🙌🙌🙌🙌🙌. Everything is ok.

77 roses for you from heart

Service praise

My pleasure , it's happy to get your good feedback on the machine

It's good And your service is excellent Your Boss must give increase

Quality praise

成 Neel 美国单工位预制袋混合沙

Hello Joe - the machine continues to run better every day. We're hoping that all the parts do not start to break with use.

If anything breaks (like the heating bar), can you send up replacement parts?

EXHIBITIONS & CUSTOMER VISITS



International exhibition



Customer visit

CONTACT NOW



