









place for empty boxes



Customizable, according to box size and dimensions



Vacuum suction box



Vacuum picks up the box with a quick turn and puts it in the transport belt



product push



Automatic induction, boosting the product into the box



folding device



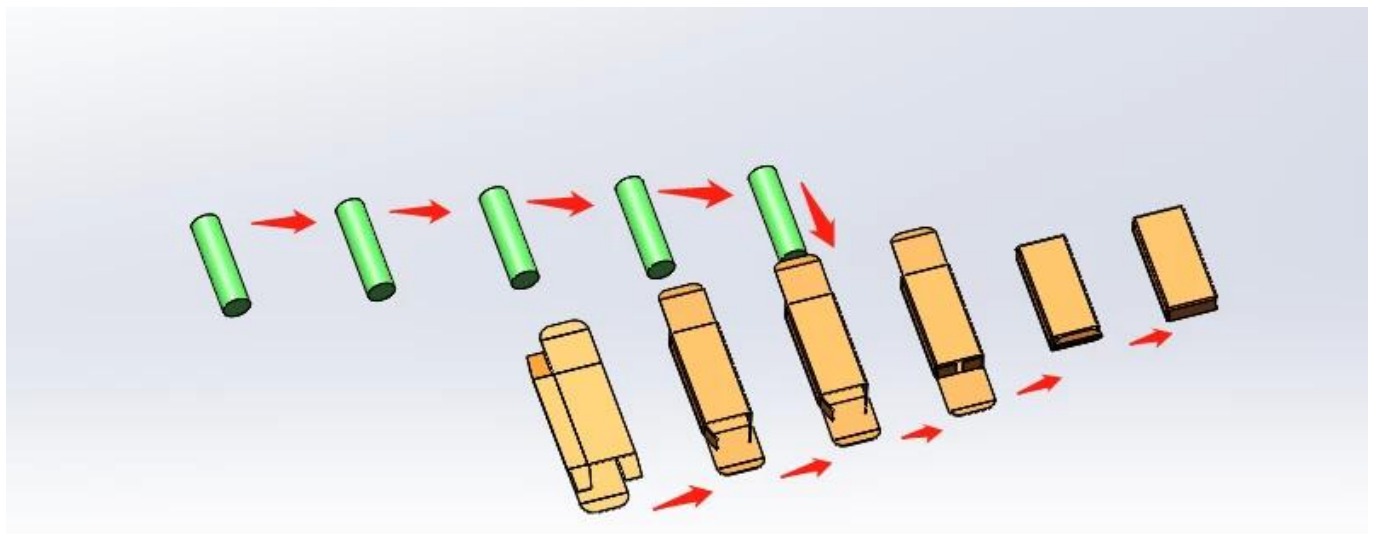
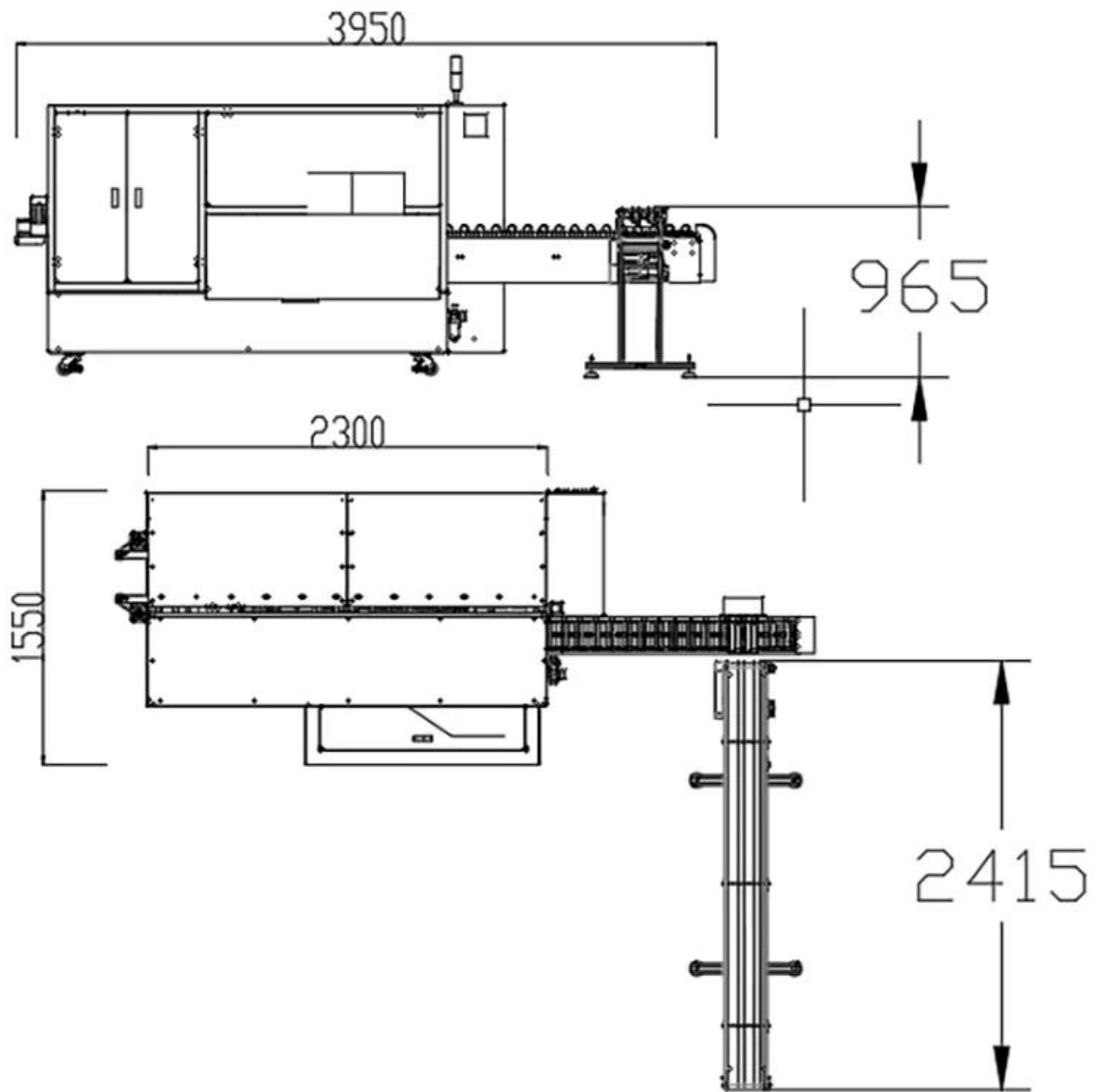
Under high-speed operation, it can be folded automatically and quickly, and the production can be completed

Contact us



Customized products that
match your own





DS-GS150

Swift Packaging: 100-150 boxes/min DS-GS150

Product description: This machine is used for producing paper boxes. It is suitable for producing boxes with a capacity of 100-150 boxes per minute. The machine is equipped with a pre-folding mechanism to ensure the quality of the boxes.

Model: DS-GS150

Product description: This machine is used for producing paper boxes. It is suitable for producing boxes with a capacity of 100-150 boxes per minute. The machine is equipped with a pre-folding mechanism to ensure the quality of the boxes.

Model: DS-GS150

DS-GS150

| | |
|---------------------------|--|
| Model: | DS-GS150 |
| carton size range: | L 110-200 * W 30-70 * H 18-45mm (can be customized according to product) |
| Paper Requirements Scope: | 300 g/m ² ≤ Best for paper:350 g/m ² ≤ 450 g/m ² |
| Paper requirements: | The indentation of the paper box is not less than 0.4mm, with a pre folding effect |
| Production capacity: | 100-150box/min |
| Total power: | 3 KW |
| Equipment dimensions: | About L3950 * W1550 * H1730mm |
| Machine weight: | About 2T |

Company profile

Foshan Dession packaging machinery Co., Ltd. is located in Nanhai District, Foshan city, China machinery center, is a collection of research and development, manufacturing, sales and after-sales service in one of the high-tech enterprises, with self-import and export rights. DE newsletter focusing on production and research and development, all kinds of bag packaging machine, filling machine, and the research and development and manufacture of automatic packaging line, with superior performance, advanced technology, easy operation, easy maintenance, safe, durable, widely used in puffed food, snack food, frozen food, agricultural and sideline products, medicine, chemical products, metal products and other fields, to meet the needs of customers.



EXHIBITIONS



Our Customers





Contact us

Our Advantage

On-site installation,
commissioning and training

Specially customized
based on actual situation



High automation, simple
operation and labor saving

Life long technical
service support

1. 包裝及運輸服務
 2. 包裝及運輸服務
 3. 包裝及運輸服務
 4. 包裝及運輸服務
 5. 包裝及運輸服務

PACKAGING SHIPPING



1. 包裝及運輸服務 15-30 包裝及運輸服務 (DHL 包裝及運輸服務)

AFTER-SALES SERVICE



1. 包裝及運輸服務
2. 包裝及運輸服務
3. 包裝及運輸服務

