

## Fully Automatic Springs Pouch Packing Machine

德迅 Dession



### Springs Packing Machine Advantage:

1	PLC control with stable, reliable biaxial high accuracy output and colorful touch screen, bag making, measuring, filling, printing, cutting, finished in one operation.
2	Separate circuit boxes for pneumatic control and power control, noise is low and the circuit is more stable.
3	Film pulling with servo motor double belt, less pulling resistance, bag is formed in good shape with better appearance, belt is resistant to be worn-out.

4	Double servo control,high precise orientation,size more accuracy.
5	External film releasing mechanism,more simple and easier installation for package film.
6	Adjustment of bag deviation just need to be control by the touch screen,operation is very simple.
7	All core spare parts sealed mechanism,to avoid the dust into inside of machine.



### Springs Pouch Packing Machine Technical Specifications:

Model	DS-820AZ
Bag Length	100-400mm

Bag Width	180-400mm
Film Width	max.820mm
Packing Speed	5-30bags/min
Measurement range	Max.6000ml
Air Consumption	0.65Mpa
Gas Consumption	0.4m <sup>3</sup> /min
Voltage	220V,50Hz
Power	5kw

### **Combination Multihead Weigher Specifications:**



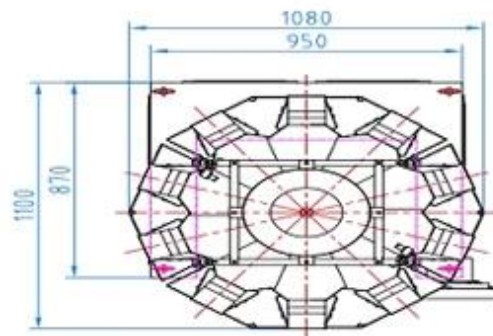
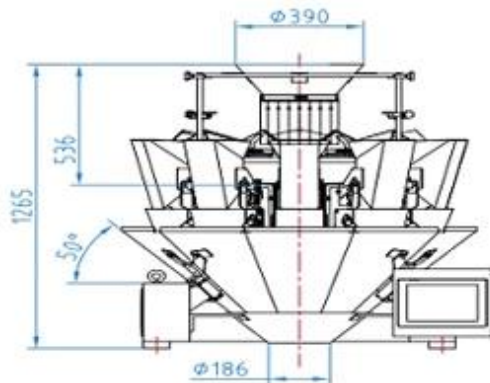
DS-A10 (Big)

**Application:**

Suitable for QQ sugar, cotton candy, vegetables, screws and other viscous, more difficult to control, poor mobility of materials such as quantitative weighing.

**Special Features:**

- \* High precision digital load cell for accurate measurement, Chinese / English / Korean / West and other languages LCD operating system to choose from.
- \* Powerful data automatic statistical functions, record the total weight of each batch of production, the total number of packages, the pass rate and other indicators. signal.



**Specifications:**

Model	DS-A10 (Big)	Operation Interface	8.4 inch touch screen/0.4 touch
Weighing Ranging	50-800g	Power	220V/1500W/50-60HZ/10A
Accuracy	X(0.5)	Package Weight	520 (kg)
Weighing Speed	45 bags/min	Package Size	1482 (L) x 1080 (W) x 1116 (H) (mm)
Hopper Volume	2500ml	Optional Equipment	Hopper/printer/sorting device
Drive Mode	Stepper Motor		rotating vibration machine

## Application:

Suitable for QQ sugar, cotton candy, vegetables, screws and other viscous, more difficult to control, poor mobility of materials such quantitative weighing.



## Package and Shipping

### Packing:

Firstly cleaning, divided into different parts, then wrapping into plastic film;  
Finally packed by plywood case

### Shipment:

By Air, by Sea or by Express (DHL, Fedex etc)

Shipment cost will depend on the destination, shipment way and the weight of the goods.



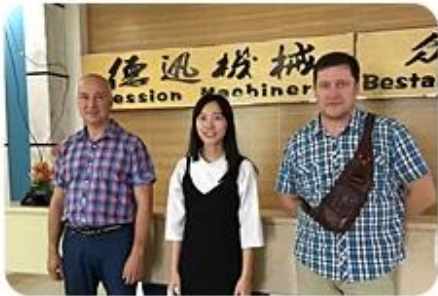
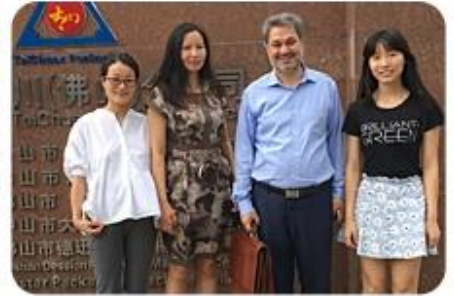
## WHY CHOOSE DESSION ?

- MADE TO MEASURE SOLUTIONS
- TECHNICAL ADVICE CONCERNING PACKAGING
- REMOTE TRAINING AND SUPPORT
- DESPATCH OF SPARE IN NO TIME

## AFTER-SALE SERVICE

1. Manules/Videos of machine installation, adjusting, setting, maintenance are provided to help with the machine.
2. If any problem occurred, video communication available on 24 hours ;
3. Dession engineers & technicians are available send to your country for service if you accept to be charge the expenditure;
4. Warranty: 2 years guranty of Electric accessories and free life time maintenance of machine excluding freight ;
5. Dession has an independent team for after-sale service. any emergency please call the salesman in sevice of you.

## **Our clients**



**Our company and factory**





**Wrapping machine workshop**



**Small vertical packing machine workshop**



**Large vertical packing machine workshop**



**Need more machines details or price?**

**Please contact Ms.Grace directly !**

**Mobile:+86 133 3649 8699**

**Whatsapp/Viber:+86 135 4254 9329**

**Skype:gracehe2015**

**QQ:1637579167**